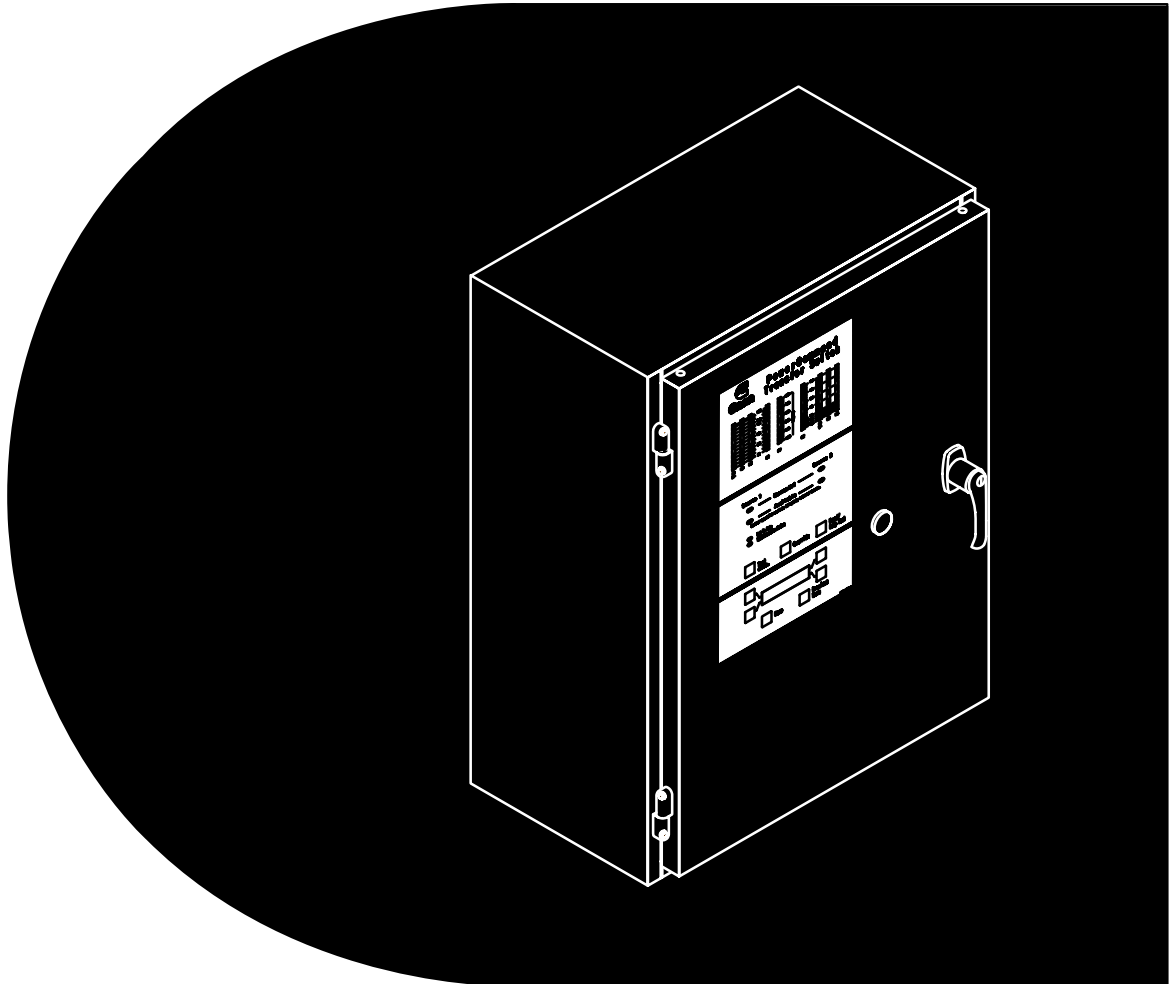


# Parts Catalog

## OTPC 150/225/260 Amp Transfer Switch



## MODEL IDENTIFICATION

This catalog covers models produced under the Cummins®/Onan® and Cummins Power Generation brand names.

To avoid errors or delay in filling your parts order, always give the MODEL, SPEC NO. and SERIAL NO. from the Cummins Power Generation nameplate.

For handy reference, insert your nameplate information in the spaces below.

MODEL AND SPEC NO.

SERIAL NO.

DIGITAL CONTROL SOFTWARE VERSION AND DATE (IF APPLICABLE)

## SAFETY PRECAUTIONS

The following symbols are used in Cummins Power Generation manuals to alert users to the potentially dangerous conditions relating to maintenance of equipment and replacement of parts. Please read and observe.



*This symbol warns of immediate hazards which will result in severe personal injury or death.*



*This symbol refers to a hazard or unsafe practice which can result in severe personal injury or death.*



*This symbol refers to a hazard or unsafe practice which can result in severe personal injury or product or property damage.*

## PRODUCT SAFETY PRECAUTIONS



***Service and repair of Cummins Power Generation equipment must be performed by trained, experienced personnel only. Improper service or repair may result in property damage, severe personal injury or death. Do not use this catalog as a guide to servicing your equipment. Read and follow the IMPORTANT SAFETY INSTRUCTIONS in the Service Manual appropriate for the equipment you are working on.***



***Contact with USED ENGINE OILS has been identified by a United States federal agency and some USA state agencies as causing CANCER or REPRODUCTIVE TOXICITY. When checking or changing engine oils take all necessary precautions not to ingest, breathe the fumes or contact the used oil.***



***Contact with ASBESTOS has been identified by a United States federal agency and some USA state agencies as causing CANCER or REPRODUCTIVE TOXICITY. When handling engine gaskets take all necessary precautions not to ingest, breathe or contact the dust from the gaskets! Use adequate ventilation and wear protective gloves, masks and clothing!***



***Contact with BENZINE and LEAD, found in gasoline, fuel additives and solvents has been identified by a United States federal agency and some USA state agencies as causing CANCER or REPRODUCTIVE TOXICITY. When checking, draining or adding gasoline and fuel additives or using solvents take all necessary precautions not to ingest, breathe the fumes or contact the liquids. Use adequate ventilation and wear protective gloves, masks and protective clothing!***

## Introduction

This catalog applies to the Cummins Power Generation OTPC 150/225/260 Amp Transfer Switch. Each illustrated part is identified by a reference number corresponding to the same reference number in the parts list for that group. Parts illustrations are typical. Using the model and spec number from the switch box nameplate, select the parts that apply to your Transfer Switch. Unless otherwise noted in the parts description, parts are interchangeable between models.

## Feature Options

Code	Description	Code	Description
A028	3-Pole Switch	L202	Auxiliary Relay – Emergency Position – 12 VDC
A029	4-Pole Switch	L203	Auxiliary Relay – Normal Position – 12 VDC
A035	Utility to Generator Set Applications	L204	Auxiliary Relay – Generator Start – 12 VDC
A036	Utility to Utility Applications	M003	Terminal Block – 30 Points
A037	Generator Set to Generator Set Applications	M007	Load Shed – From Emergency
A041	One Phase – 2 or 3 wire	M017	Security – Front Panel
A042	Three Phase – 3 or 4 wire	M018	Display – Digital
A044	Frequency – 60 Hz	M020	Communications – Lonworks
A045	Frequency – 50 Hz	M022	Monitoring – Load
A046	Listing – UL	M023	Module – Relay Signal
A064	Listing – UL/NFPA-20	N009	Bus Stubs Connection
B001	Cabinet – Type 1	N013	Harness – Extension
B002	Cabinet – Type 3R	R020	Voltage – 120
B003	Cabinet – Type 4	R021	Voltage – 208
B004	Construction – Open	R022	Voltage – 220
B010	Cabinet – Type 12	R023	Voltage – 240
C023	Control – Level 1	R024	Voltage – 380
C024	Control – Level 2	R025	Voltage – 416
D009	Meters – Bar Graph Display	R026	Voltage – 480
K001	Battery Charger – 2 Amp, 12/24V	R027	Voltage – 600
K002	Battery Charger – 10 Amp, 12V	R035	Voltage – 440
K003	Battery Charger – 10 Amp, 24V	R038	Voltage – 190
L101	Auxiliary Relay – 24 VDC Coil	S049	Current Rating – 150 Amps
L102	Auxiliary Relay – Emergency Position – 24 VDC	S050	Current Rating – 225 Amps
L103	Auxiliary Relay – Normal Position – 24 VDC	S051	Current Rating – 260 Amps
L104	Auxiliary Relay – Generator Start – 24 VDC		
L201	Auxiliary Relay – 12 VDC Coil		

# Index

- Actuator, Linear – Transfer Switch, **9**
- Alarm, Battery Charger, **22**
- Ammeter – DC – 10 Amp, 12 Volt Battery Charger, **25**
- Ammeter – DC – 10 Amp, 24 Volt Battery Charger, **27**
- Ammeter – DC – 2 Amp, 12/24 Volt Battery Charger, **23**
- Arm, Interlock – Transfer Switch, **9**
  
- Bar, Interlock – Transfer Switch, **9**
- Bar, Neutral – Transfer Switch, **9**
- Barrier – Transfer Switch, **7**
- Barrier, Base – Transfer Switch, **9**
- Base, Mounting – Transfer Switch, **7**
- Block and Contact Assembly – Transfer Switch, **9**
- Block and Cross Bar Assembly – Transfer Switch, **9**
- Block, Hinge – Type 1 Cabinet, **13**
- Block, Lug Mounting – Transfer Switch, **9**
- Block, Terminal, **30**
- Block, Terminal – Battery Charger Alarm, **22**
- Block, Terminal – Network Module, **28**
- Block, Terminal – Transfer Switch, **7**
- Board, Printed Circuit – 10 Amp, 12 Volt Battery Charger, **25**
- Board, Printed Circuit – 10 Amp, 24 Volt Battery Charger, **27**
- Board, Printed Circuit – 2 Amp, 12/24 Volt Battery Charger, **23**
- Board, Printed Circuit – Bar Graph – Type 1 Cabinet, **13**
- Board, Printed Circuit – Bar Graph – Type 3R and 12 Cabinet, **15**
- Board, Printed Circuit – Bar Graph – Type 4 Cabinet, **17**
- Board, Printed Circuit – Current Transformer Module, **29**
- Board, Printed Circuit – Digital – Type 1 Cabinet, **13**
- Board, Printed Circuit – Digital – Type 3R and 12 Cabinet, **15**
- Board, Printed Circuit – Digital – Type 4 Cabinet, **17**
- Board, Printed Circuit – Network Module, **28**
- Board, Printed Circuit – Power Module – Type 1 Cabinet, **13**
- Board, Printed Circuit – Power Module – Type 3R and 12 Cabinet, **15**
- Board, Printed Circuit – Power Module – Type 4 Cabinet, **17**
- Board, Printed Circuit – Relay Module, **32**
- Bracket, Connector – Accessory Control Plate (600 Volt), **19**
- Bracket, Connector – Accessory Control Plate (Less than 600 Volt), **18**
- Bracket, Door – Type 4 Cabinet, **17**
- Bracket, End – Auxiliary Relay, **31**
- Bracket, End – Terminal – Battery Charger Alarm, **22**
- Bracket, End – Terminal – Network Module, **28**
- Bracket, Terminal – Transfer Switch, **7**
- Breaker, Circuit – Transfer Switch, **9**
- Bus, Emergency – Transfer Switch, **9**
- Bus, Load – Transfer Switch, **9**
- Bus, Normal – Transfer Switch, **9**
  
- Cabinet – Type 1, **13**
- Cabinet – Type 12, **15**
- Cabinet – Type 3R, **15**
- Cabinet – Type 4, **17**
- Capacitor – Transfer Switch, **9**
- Charger, Battery – 10 Amp, 12 Volt, **25**
- Charger, Battery – 10 Amp, 24 Volt, **27**
- Charger, Battery – 2 Amp, 12/24 Volt, **23**
- Chute, Arc – Transfer Switch, **9**
- Cover, Arc Chute – Transfer Switch, **9**
- Cover, Charger – 10 Amp, 12 Volt Battery Charger, **25**
- Cover, Charger – 10 Amp, 24 Volt Battery Charger, **27**
- Cover, Charger – 2 Amp, 12/24 Volt Battery Charger, **23**
- Cover, Labeled – Transfer Switch, **7**
- Cover, Printed Circuit Board – Type 1 Cabinet, **13**
- Cover, Printed Circuit Board – Type 3R and 12 Cabinet, **15**
- Cover, Printed Circuit Board – Type 4 Cabinet, **17**
- Cover, Relay Plate – Accessory Control Plate (600 Volt), **19**
- Cover, Relay Plate – Accessory Control Plate (Less than 600 Volt), **18**
  
- Door, Cabinet – Type 1, **13**
- Door, Cabinet – Type 3R and 12 Cabinet, **15**
- Door, Cabinet – Type 4 Cabinet, **17**
  
- Fuse – 10 Amp, 12 Volt Battery Charger, **25**
- Fuse – 10 Amp, 24 Volt Battery Charger, **27**
- Fuse – 2 Amp, 12/24 Volt Battery Charger, **23**
  
- Gasket, Door – Type 3R and 12 Cabinet, **15**
- Gasket, Door – Type 4 Cabinet, **17**
  
- Handle Assembly, Actuator, **10**
- Handle, Door – Type 3R and 12 Cabinet, **15**
- Handle, Locking – Type 1 Cabinet, **13**
- Harness, Wiring – 10 Amp, 12 Volt Battery Charger, **25**
- Harness, Wiring – 10 Amp, 24 Volt Battery Charger, **27**
- Harness, Wiring – 2 Amp, 12/24 Volt Battery Charger, **23**
- Harness, Wiring – Battery Charger, **21**
- Harness, Wiring – Battery Charger Alarm, **22**
- Harness, Wiring – Control – Open Construction, **20**
- Harness, Wiring – Current Transformer Module, **29**
- Harness, Wiring – Load Shed, **32**
- Harness, Wiring – Main – Type 1 Cabinet, **13**
- Harness, Wiring – Main – Type 3R and 12 Cabinet, **15**
- Harness, Wiring – Main – Type 4 Cabinet, **17**
- Harness, Wiring – Network Module, **28**
- Holder, Fuse – 10 Amp, 12 Volt Battery Charger, **25**
- Holder, Fuse – 10 Amp, 24 Volt Battery Charger, **27**
- Holder, Fuse – 2 Amp, 12/24 Volt Battery Charger, **23**
  
- Insulator, Arc Chute – Transfer Switch, **9**
  
- Latch, Cam – Type 1 Cabinet, **13**
- Latch, Cam – Type 3R and 12 Cabinet, **15**
- Lead – Type 1 Cabinet, **13**
- Lead – Type 3R and 12 Cabinet, **15**
- Lead – Type 4 Cabinet, **17**
- Load Shed, **32**
- Lug, Solderless – Transfer Switch, **9**
- Lug, Solderless – Type 1 Cabinet, **13**
- Lug, Solderless – Type 3R and 12 Cabinet, **15**
- Lug, Solderless – Type 4 Cabinet, **17**
  
- Membrane, Panel – Type 1 Cabinet, **13**
- Membrane, Panel – Type 3R and 12 Cabinet, **15**
- Membrane, Panel – Type 4 Cabinet, **17**
- Module, Current Transformer, **29**
- Module, Digital Display – Type 1 Cabinet, **13**
- Module, Digital Display – Type 3R and 12 Cabinet, **15**
- Module, Digital Display – Type 4 Cabinet, **17**
- Module, Network, **28**

# Index

- Plate, Accessory Control (600 Volt), **19**
- Plate, Accessory Control (Less than 600 Volt), **18**
- Plate, End – Terminal – Battery Charger Alarm, **22**
- Plate, End – Terminal – Network Module, **28**
- Plate, Handle Mounting – Transfer Switch, **9**
- Plate, Mounting – Battery Charger Alarm, **22**
- Plate, Mounting – Current Transformer Module, **29**
- Plate, Mounting – Load Shed, **32**
- Plate, Open Construction, **20**
- Plate, Relay – Accessory Control Plate (600 Volt), **19**
- Plate, Relay – Accessory Control Plate (Less than 600 Volt), **18**
  
- Rail, Terminal – Auxiliary Relay, **31**
- Rail, Terminal Block – Battery Charger Alarm, **22**
- Rail, Terminal Block – Network Module, **28**
- Rectifier, Bridge – 10 Amp, 12 Volt Battery Charger, **25**
- Rectifier, Bridge – 10 Amp, 24 Volt Battery Charger, **27**
- Rectifier, Gate – 10 Amp, 12 Volt Battery Charger, **25**
- Rectifier, Gate – 10 Amp, 24 Volt Battery Charger, **27**
- Relay – Accessory Control Plate (600 Volt), **19**
- Relay – Accessory Control Plate (Less than 600 Volt), **18**
- Relay – Load Shed, **32**
- Relay, Auxiliary, **31**
- Relay, Control – Accessory Control Plate (600 Volt), **19**
- Relay, Control – Auxiliary Relay, **31**
- Resistor, Fixed – 2 Amp, 12/24 Volt Battery Charger, **23**
- Rod, Actuator – Transfer Switch, **7**
- Rod, Roller – Type 1 Cabinet, **13**
- Rod, Roller – Type 3R and 12 Cabinet, **15**
- Rod–End, Actuator – Transfer Switch, **7**
  
- Spacer, Actuator – Transfer Switch, **7**
- Spacer, Mounting Block – Transfer Switch, **9**
- Spring, Conical – Type 4 Cabinet, **17**
- Standoff, Insulator – Transfer Switch, **9**
- Strap, Jumper – Transfer Switch, **9**
- Strap, Load – Transfer Switch, **9**
- Strip, Marker – Transfer Switch, **9**
- Support, Channel – Transfer Switch, **9**
- Switch Assembly, Auxiliary, **11**
- Switch, Selector – Security, **33**
- Switch, Toggle – Accessory Control Plate (600 Volt), **19**
- Switch, Toggle – Accessory Control Plate (Less than 600 Volt), **18**
  
- Transfer Switch Assembly, **7**
- Transformer – 10 Amp, 12 Volt Battery Charger, **25**
- Transformer – 10 Amp, 24 Volt Battery Charger, **27**
- Transformer – 2 Amp, 12/24 Volt Battery Charger, **23**
- Transformer, Current, **29**
- Transformer, Power – Type 1 Cabinet, **13**
- Transformer, Power – Type 3R and 12 Cabinet, **15**
- Transformer, Power – Type 4 Cabinet, **17**
  
- Wrapper, Charger – 2 Amp, 12/24 Volt Battery Charger, **23**
- Wrapper, Charger – 10 Amp, 12 Volt Battery Charger, **25**
- Wrapper, Charger – 10 Amp, 24 Volt Battery Charger, **27**

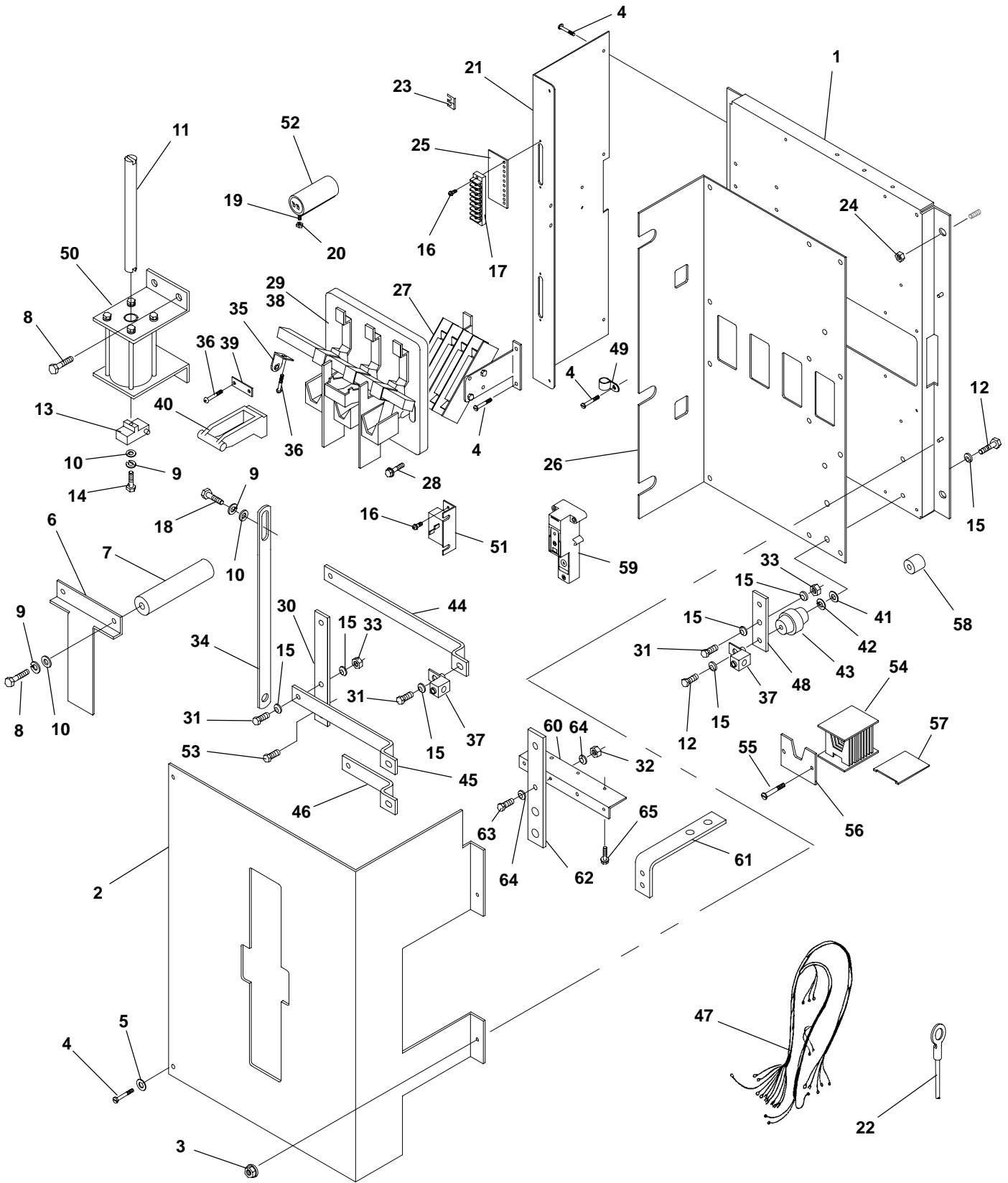
## Abbreviations

Some of the following abbreviations may be used throughout this Parts Catalog:

AC	Alternating Current	MCM	Metric Circular Mills
Amp	Ampere	mm	Millimeter
A/R	As Required	MOH	Mobile Off Highway
AVR	Automatic Voltage Regulator	NFS	Not For Sale
AWG	American Wire Gauge	NPT	National Pipe Thread
CSA	Canadian Standard Association	OD	Outside Diameter
DC	Direct Current	oz.	Ounce
Deg.	Degree	PCB	Printed Circuit Board
EFC	Electronic Fuel Control	Ph	Phase
EIT	External/Internal Tooth	PMG	Permanent Magnet Generator
EPROM	Erasable Programmable Read Only Memory	PT/CT	Potential Transformer/ Current Transformer
ET	External Tooth	RFI	Radio Frequency Interference
GFI	Ground Fault Interrupter	RT	Right
ID	Inside Diameter	Spec	Specification
IEC	International Electrotechnical Commission	Thk	Thick
IT	Internal Tooth	UL	Underwriters Laboratories Inc.
kW	Kilowatt	UNC	Union National Coarse
LPG	Liquid Petroleum Gas	UNF	Union National Fine
LT	Left	VAC	Volts Alternating Current
M(meter number)	Meter	VDC	Volts Direct Current
		W/(ET, IT, EIT)	With



# Transfer Switch





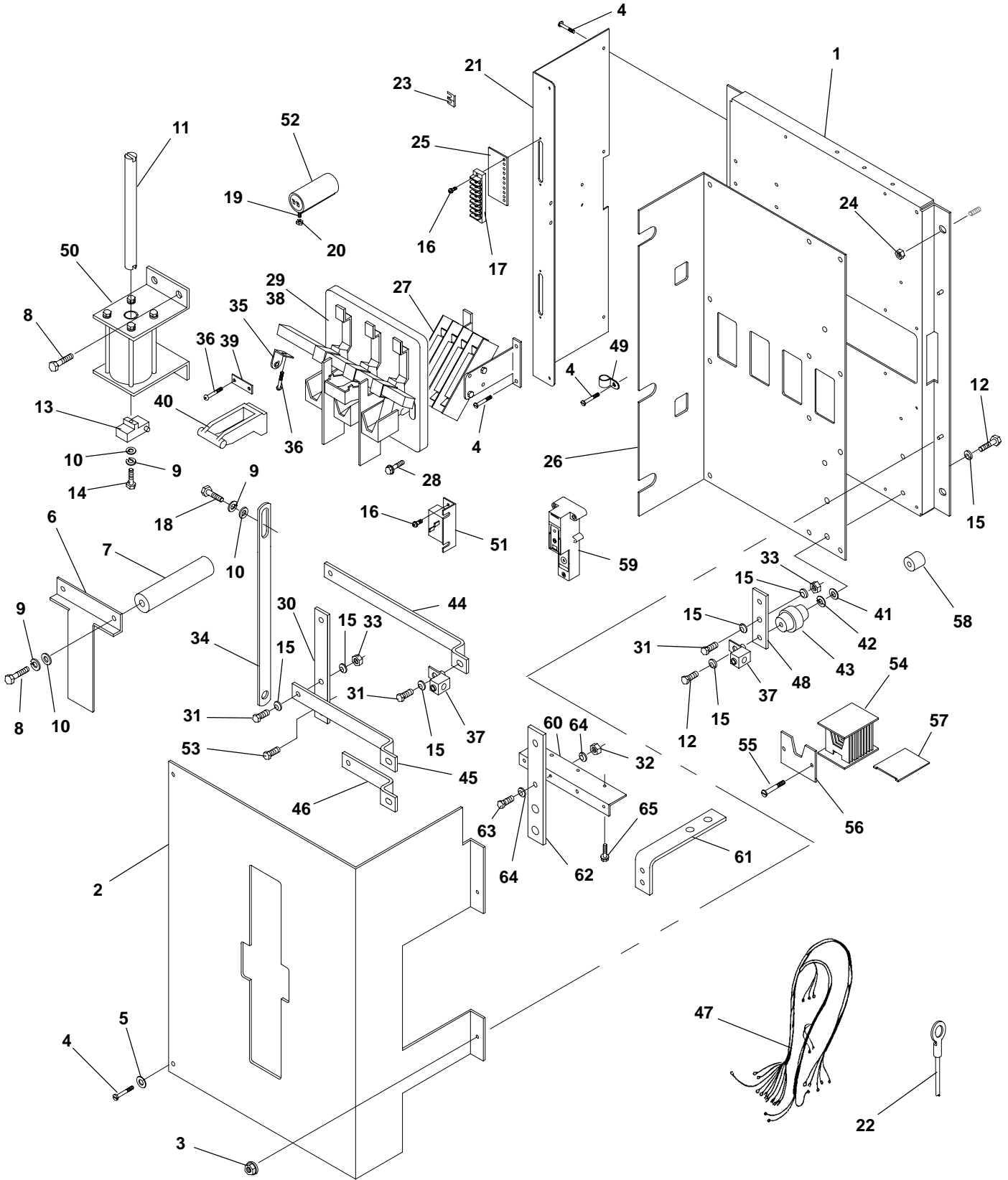
## Transfer Switch

REF NO.	PART NO.	QTY USED	PART DESCRIPTION	REF NO.	PART NO.	QTY USED	PART DESCRIPTION
			Transfer Switch Assembly				4-Pole, Rear Connect with Bus Stubs
			3-Pole, Front Connect with Mechanical Lugs				<b>150 Amp</b>
			<b>150 Amp</b>		306-4407-02	1	190 VAC
			120 VAC		306-4407-03	1	208/220/240/600* VAC
			190 VAC		306-4407-04	1	380/416 VAC
			208/220/240/600* VAC		306-4407-05	1	440/480 VAC
			380/416 VAC				<b>225 Amp</b>
			440/480 VAC		306-4407-07	1	190 VAC
			<b>225 Amp</b>		306-4407-08	1	208/220/240/600* VAC
			120 VAC		306-4407-09	1	380/416 VAC
			190 VAC		306-4407-10	1	440/480 VAC
			208/220/240/600* VAC				<b>260 Amp</b>
			380/416 VAC		306-4407-12	1	190 VAC
			440/480 VAC		306-4407-13	1	208/220/240/600* VAC
			<b>260 Amp</b>		306-4407-14	1	380/416 VAC
			120 VAC		306-4407-15	1	440/480 VAC
			190 VAC	1	306-3574	1	Base, Mounting
			208/220/240/600* VAC	2	306-4269	1	Cover, Labeled
			380/416 VAC	3	870-0320	2	Nut, Self-Locking (#10-32)
			440/480 VAC	4	815-0652	14	Screw, Hex Head – Slotted – W/IT (#10-32 x .50)
			4-Pole, Front Connect with Mechanical Lugs	5	526-0008	2	Washer, Flat (#10)
			<b>150 Amp</b>	6	306-2340	2	Barrier
			190 VAC	7	306-3483	4	Spacer, Actuator
			208/220/240/600* VAC	8	800-0021	4	Screw, Cap – Hex Head (1/4-20 x 4.50)
			380/416 VAC	9	850-0040	8	Washer, Lock (1/4)
			440/480 VAC	10	526-0018	8	Washer, Flat (1/4)
			<b>225 Amp</b>	11	306-3473	1	Rod, Actuator
			190 VAC	12			Screw, Cap – Hex Head (5/16-18 x .88)
			208/220/240/600* VAC		800-0027	18	3-Pole, Front Connect
			380/416 VAC		800-0027	16	4-Pole, Front Connect
			440/480 VAC		800-0027	12	3-Pole, Rear Connect
			<b>260 Amp</b>		800-0027	14	4-Pole, Rear Connect
			190 VAC		306-3400-02	2	Rod-End, Actuator
			208/220/240/600* VAC	13			Screw, Cap – Hex Head (1/4-20 x 1.25)
			380/416 VAC	14	800-0008	2	Washer, Spring – Conical (5/16)
			440/480 VAC	15			3-Pole, Front Connect
			3-Pole, Rear Connect with Bus Stubs		851-0028	24	4-Pole, Front Connect
			<b>150 Amp</b>		851-0028	22	3-Pole, Rear Connect
			120 VAC		851-0028	12	4-Pole, Rear Connect
			190 VAC		851-0028	16	Screw, Round Head – Cross Recessed (#6-32 x .75)
			208/220/240/600* VAC	16	815-0651	6	Block, Terminal
			380/416 VAC	17	332-2832	2	Screw, Hex Head (1/4-20 x .50)
			440/480 VAC	18	800-0003	2	Screw, Flat Head – Cross Recessed (#10-32 x .50)
			<b>225 Amp</b>	19	815-0029	4	Nut, Hex – W/ET (#10-32)
			120 VAC	20	870-0131	4	Bracket, Terminal
			190 VAC	21	306-3418	1	Lead (380/416/440/480 VAC)
			208/220/240/600* VAC	22	226-3380	1	Jumper, Terminal
			380/416 VAC	23	332-2605	1	Nut, Lock (3/8-16)
			440/480 VAC	24	870-0281	4	
			<b>260 Amp</b>				
			120 VAC				
			190 VAC				
			208/220/240/600* VAC				
			380/416 VAC				
			440/480 VAC				

\* Switch is actually 208 volts – A large transformer in the system reduces the 600 volt system voltage down to 208 volts.

Continued...

# Transfer Switch

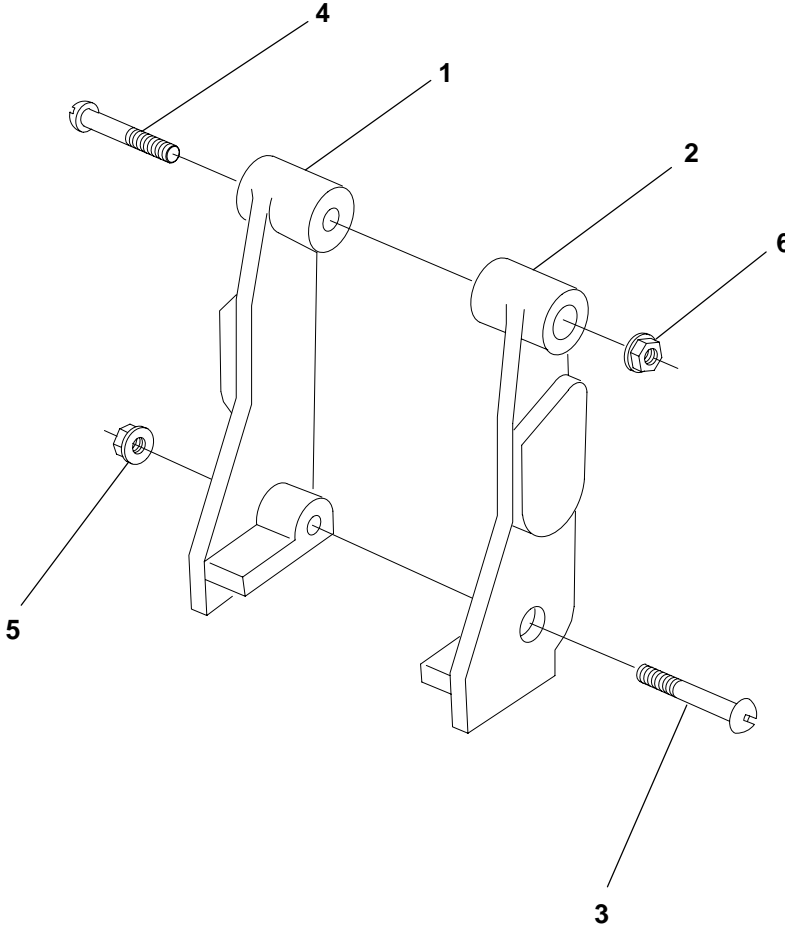


## Transfer Switch

REF NO.	PART NO.	QTY USED	PART DESCRIPTION	REF NO.	PART NO.	QTY USED	PART DESCRIPTION
Continued...				50			Actuator, Linear
					306-3471-01	1	120 VAC
25	332-2903	2	Strip, Marker		306-3471-02	1	190 VAC
26	306-3575	1	Barrier, Base		306-3471-03	1	208/220/240/600* VAC
27	306-3417	2	Switch Assembly, Auxiliary (See Separate Page For Components)		306-3471-05	1	380/416 VAC
					306-3471-06	1	440/480 VAC
28			Screw, Self-Locking – Hex Head – Thread Forming – W/IT (1/4–20 x 1.25)	51			Breaker, Circuit
	815-0667	6	3-Pole, Front Connect		320-0609	1	120 VAC
	815-0667	1	4-Pole, Front Connect		320-0608	1	190/208/220/240/600* VAC
	815-0667	8	3-Pole, Rear Connect		320-0606	1	380/416/440/480 VAC
	815-0667	6	4-Pole, Rear Connect	52			Capacitor
29			Block and Cross Bar Assembly – Emergency		312-0209	1	120 VAC
	306-4079-02	1	3-Pole		312-0204	1	190/208/220/240/600* VAC
	306-4080-02	1	4-Pole		312-0203	2	380/416/440/480 VAC
30			Strap, Jumper	53			Screw, Cap – Hex Head (5/16–18 x 1.00)
	337-2365	3	3-Pole, Front Connect		800-0028	1	4-Pole, Front Connect
	337-2365	4	4-Pole, Front Connect		800-0028	2	4-Pole, Rear Connect
	337-2414	3	3 and 4-Pole, Rear Connect	54	306-0268	2	Chute, Arc – 4-Pole
31			Screw, Cap – Hex Head (5/16 x 1.25)	55	815-0527	4	Screw, Pan Head – Thread Cutting (#10–32 x .50) – 4-Pole
	800-0030	4	3-Pole, Front Connect	56	306-3576	2	Cover, Arc Chute – 4-Pole
	800-0030	3	4-Pole, Front Connect	57	306-2352	2	Insulator, Arc Chute – 4-Pole
32			Nut, Hex (1/4–20)	58	306-3627	2	Spacer, Mounting Block – 4-Pole
	862-0001	12	3-Pole, Rear Connect	59	306-3578	2	Block and Contact Assembly – 4-Pole
	862-0001	16	4-Pole, Rear Connect	60	306-3601	2	Support, Channel – Rear Connect
33			Nut, Hex (5/16–18)	61			Bus, Load
	862-0015	3	3-Pole, Front Connect		337-2403	3	3-Pole, Rear Connect
	862-0015	2	4-Pole, Front Connect		337-2403	4	4-Pole, Rear Connect
34	306-3482	1	Bar, Interlock	62			Bus, Normal and Emergency
35	306-0508	2	Arm, Interlock		337-2404	6	3-Pole, Rear Connect
36	815-0446	8	Screw, Cross-Recessed – Round Head – W/IT (#8–32 x .50)		337-2404	8	4-Pole, Rear Connect
37			Lug, Solderless	63			Screw, Cap – Hex Head (1/4–20 x 1.00)
	332-3038	12	150/225 Amp – Front Connect		800-0007	12	3-Pole, Rear Connect
	332-3039	12	260 Amp – Front Connect		800-0007	16	4-Pole, Rear Connect
38			Block and Cross Bar Assembly – Normal	64			Washer, Spring – Conical (1/4)
	306-4079-01	1	3-Pole		851-0027	24	3-Pole, Rear Connect
	306-4080-01	1	4-Pole		851-0027	8	4-Pole, Rear Connect
39	306-1396	2	Plate, Handle Mounting	65			Screw, Hex Washer Head – Thread Forming (1/4–20)
40	306-1842	2	Handle, Actuator (See Separate Page For Components)		815-0261	6	3-Pole, Rear Connect
41	526-0077	2	Washer, Flat (5/16) – 3-Pole, Front Connect		815-0261	8	4-Pole, Rear Connect
42	853-0016	2	Washer, Lock – W/ET (5/16) – 3-Pole, Front Connect		306-3573	1	Block, Lug Mounting – Front Connect (Not Illustrated)
43	332-2744-05	2	Standoff, Insulator – 3-Pole, Front Connect				Screw, Machine – Round Head (1/4–20 x 2.75) (Not Illustrated)
44	337-2410-01	1	Strap, Load – Front Connect		815-0656	2	3-Pole, Front Connect
45	337-2410-02	1	Strap, Load – Front Connect		815-0656	6	4-Pole, Front Connect
46	337-2410-03	1	Strap, Load – Front Connect		815-0656	4	4-Pole, Rear Connect
47	338-3792	1	Harness, Wiring		815-0261	2	Screw, Thread Forming (1/4–20 x .50) – 3-Pole, Front Connect (Not Illustrated)
48	337-2366	1	Bar, Neutral (3-Pole, Front Connect)		815-0290	4	Screw, Thread Forming (1/4–20 x .62) – 4-Pole, Front Connect (Not Illustrated)
49	332-2542	1	Clamp, Cable				

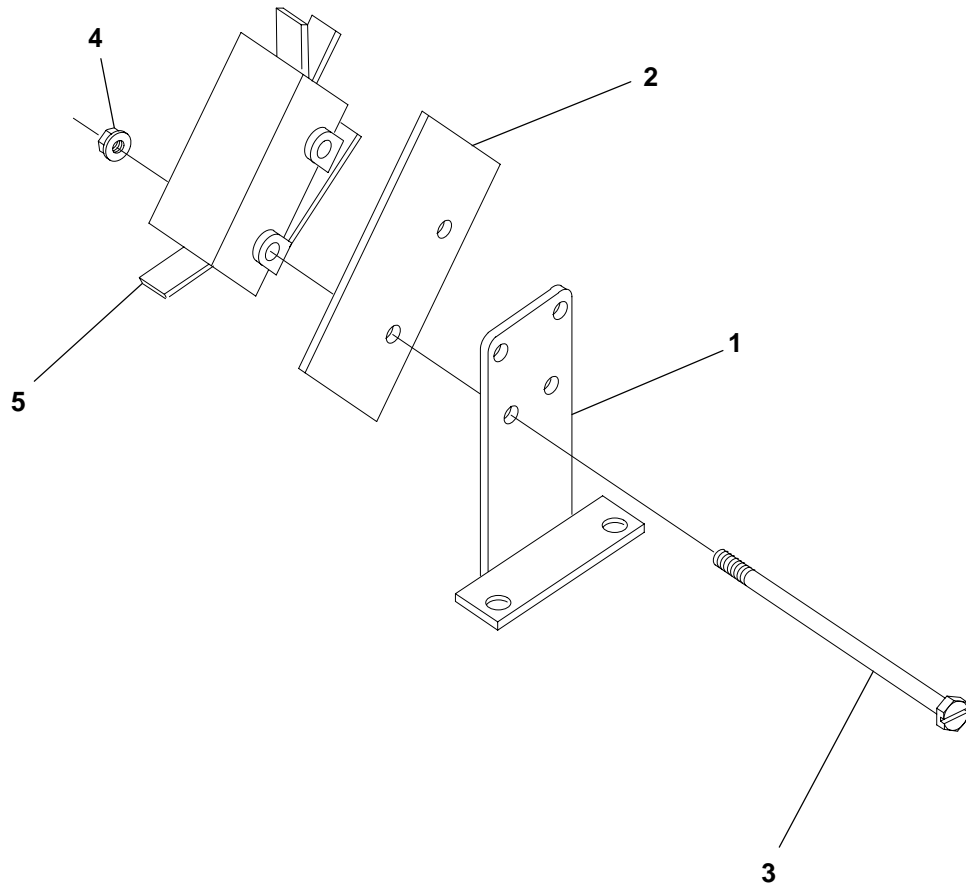
\* Switch is actually 208 volts – A large transformer in the system reduces the 600 volt system voltage down to 208 volts.

# Actuator Handle Assembly



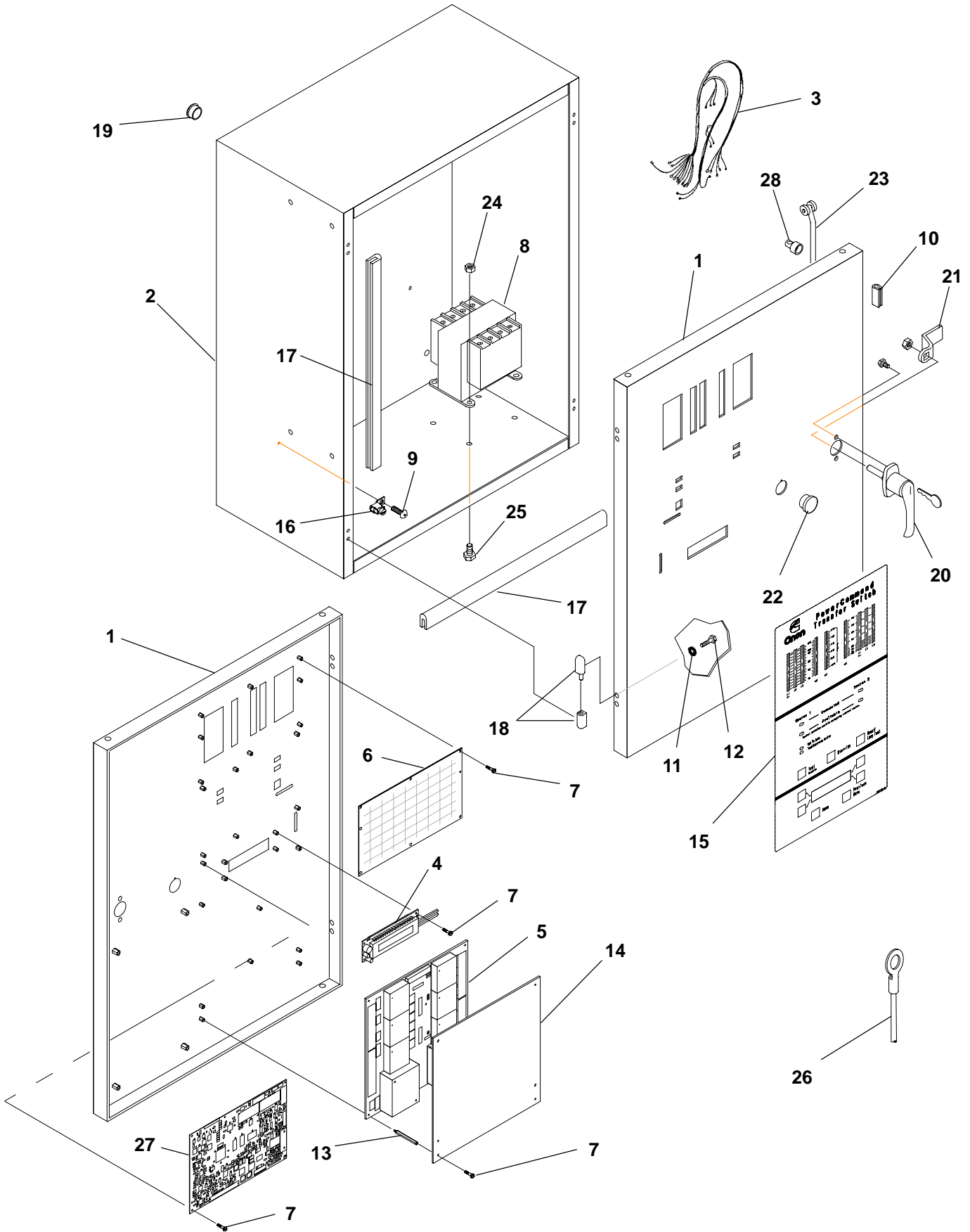
REF NO.	PART NO.	QTY USED	PART DESCRIPTION	REF NO.	PART NO.	QTY USED	PART DESCRIPTION
	306-1842	2	Handle Assembly, Actuator	4	815-0933	1	Screw, Machine – Round Head – Cross Recessed (#10-32 x 1-3/4)
1	306-1382	1	Handle, Switch – Left Hand	5	870-0235	1	Nut, Self-Locking (#8-32)
2	306-1381	1	Handle, Switch – Right Hand	6	870-0298	1	Nut, Self-Locking (#10-32)
3	815-0932	1	Screw, Machine – Round Head – Cross Recessed (#8-32 x 2-1/4)				

## Auxiliary Switch Assembly



REF NO.	PART NO.	QTY USED	PART DESCRIPTION	REF NO.	PART NO.	QTY USED	PART DESCRIPTION
	306-3417	2	Switch Assembly, Auxiliary	4	870-0201	2	Nut, Lock (#6-32)
1	306-3420	2	Bracket, Switch - Auxiliary	5	309-0393	4	Switch, Snap-Action
2	306-3391	5	Barrier, Switch				
3	815-0686	2	Screw, Cap - Hex Head (#6-32 x 3-1/4)				

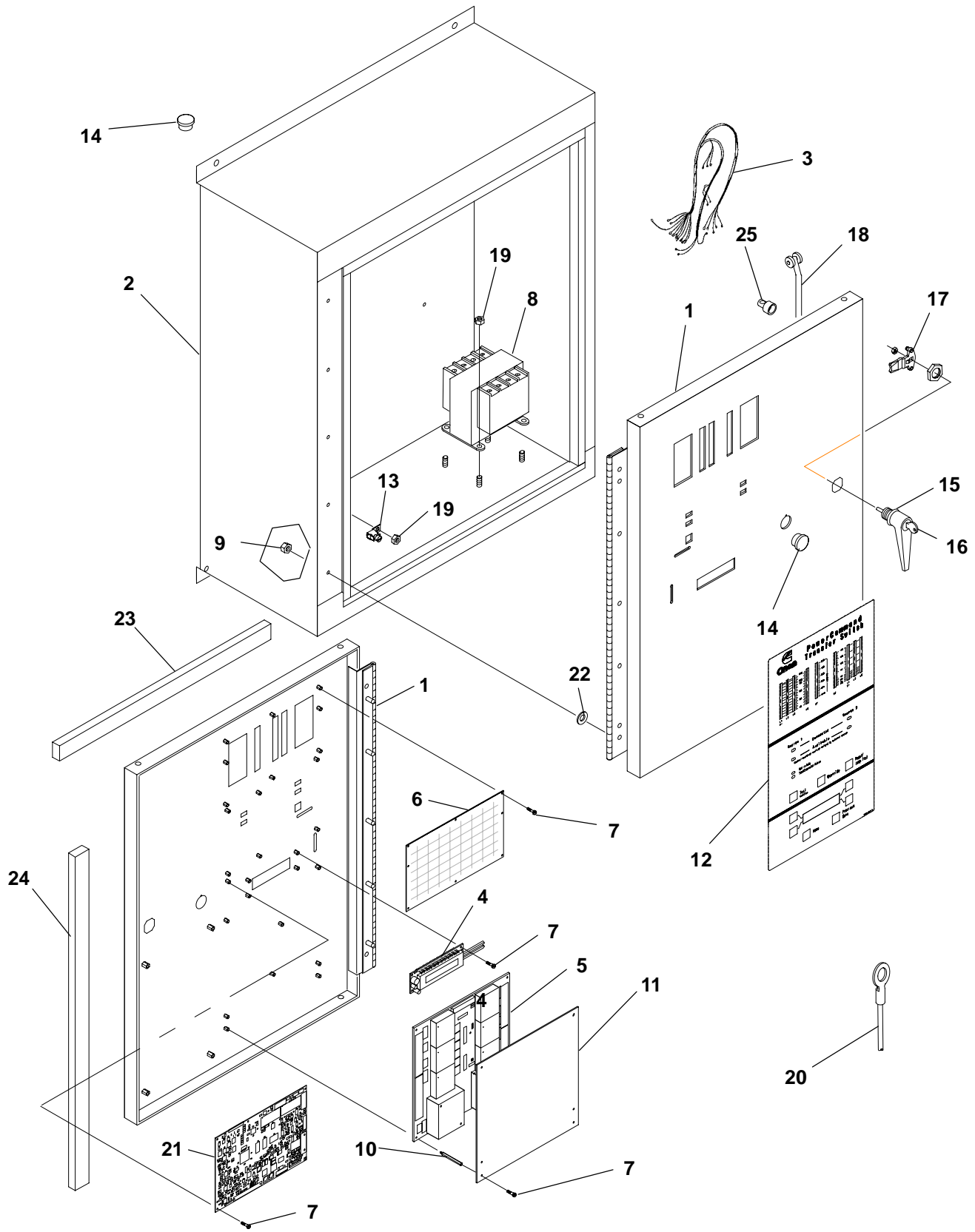
# Cabinet Type 1



## Cabinet Type 1

REF NO.	PART NO.	QTY USED	PART DESCRIPTION	REF NO.	PART NO.	QTY USED	PART DESCRIPTION
1	319-3865-02	1	Door, Cabinet	12			Screw, Cap – Hex Head (M5 x 8)
	319-3875-02	1	150/225 Amp 260 Amp		800-2000	8	150/225 Amp 260 Amp
2	319-3864-02	1	Cabinet		800-2000	12	
	319-3874-02	1	150/225 Amp 260 Amp	13	870-2216	4	Standoff, Male Snap
3			Harness, Main	14	306-4523	1	Cover, Printed Circuit Board
			<b>Level 1 Control</b>	15			Membrane, Panel
	338-3838-02	1	All Except 600 VAC		300-5185	1	<b>Level 1 Control</b> Without Digital Display
	338-3851-02	1	600 VAC		300-5186	1	With Digital Display
			<b>Level 2 Control</b>				<b>Level 2 Control</b>
	338-3852-02	1	All Except 600 VAC		300-5186	1	Without Meters–Bar Graph
	338-3853-02	1	600 VAC				Display
			<b>Generator to Generator Applications</b>		300-5271	1	With Meters–Bar Graph
	338-3852-03	1	All Except 600 VAC	16	332-3647	1	Display
	338-3853-03	1	600 VAC	17	508-1045	2	Lug, Solderless (1/4")
4	300-5151	1	Module, Digital Display	18			Edge, Protection
5			Board, Printed Circuit – Power		406-0810	2	Block, Hinge
			Module		406-0810	3	150/225 Amp
			<b>Level 1 Control</b>	19	517-0135	4	260 Amp
	300-5148-01	1	120 VAC	20	406-0809	1	Plug, Hole
	300-5148-02	1	208/220/240/440/480 VAC	21			Handle, Locking (Includes Hardware and 2 Keys)
	300-5148-03	1	600 VAC		406-0933	1	Latch, Cam
	300-5148-04	1	190/380/416 VAC		406-0934	1	150/225 Amp (1 Point) 260 Amp (3 Point)
			<b>Level 2 Control</b>	22	517-0137	1	Plug, Hole
	300-5149-01	1	120 VAC	23	306-3979	2	Rod, Roller (260 Amp)
	300-5149-02	1	208/220/240/440/480 VAC	24	870-0212	4	Nut, Self-Locking (1/4–20)
	300-5149-03	1	600 VAC	25	800-0003	4	Screw, Cap – Hex Head (1/4–20 x .50)
	300-5149-04	1	190/380/416 VAC	26			Lead (Quantity Used as Required)
6	300-5180	1	Board, Printed Circuit – Bar Graph		226-3554-01	1	6.0"
7	815-0959-03	26	Screw, Pan Head (M3 x 8)		226-3554-02	1	3.0"
8	315-0661	1	Transformer, Power (600 VAC Only)	27		1	Board, Printed Circuit – Digital
9	815-0261	1	Screw, Hex Washer Head – Thread Forming (1/4–20 x .50)		300-5146	1	Level 1 Control
					300-5147-01	1	Level 2 Control
				28	306-3467	2	Guide, Rod (260 Amp)
10	508-1114	3	Edge, Protection				
11	853-2005	8	Washer, Lock – W/ET (M5)				
	853-2005	12	150/225 Amp				
			260 Amp				

# Cabinet Type 3R and 12

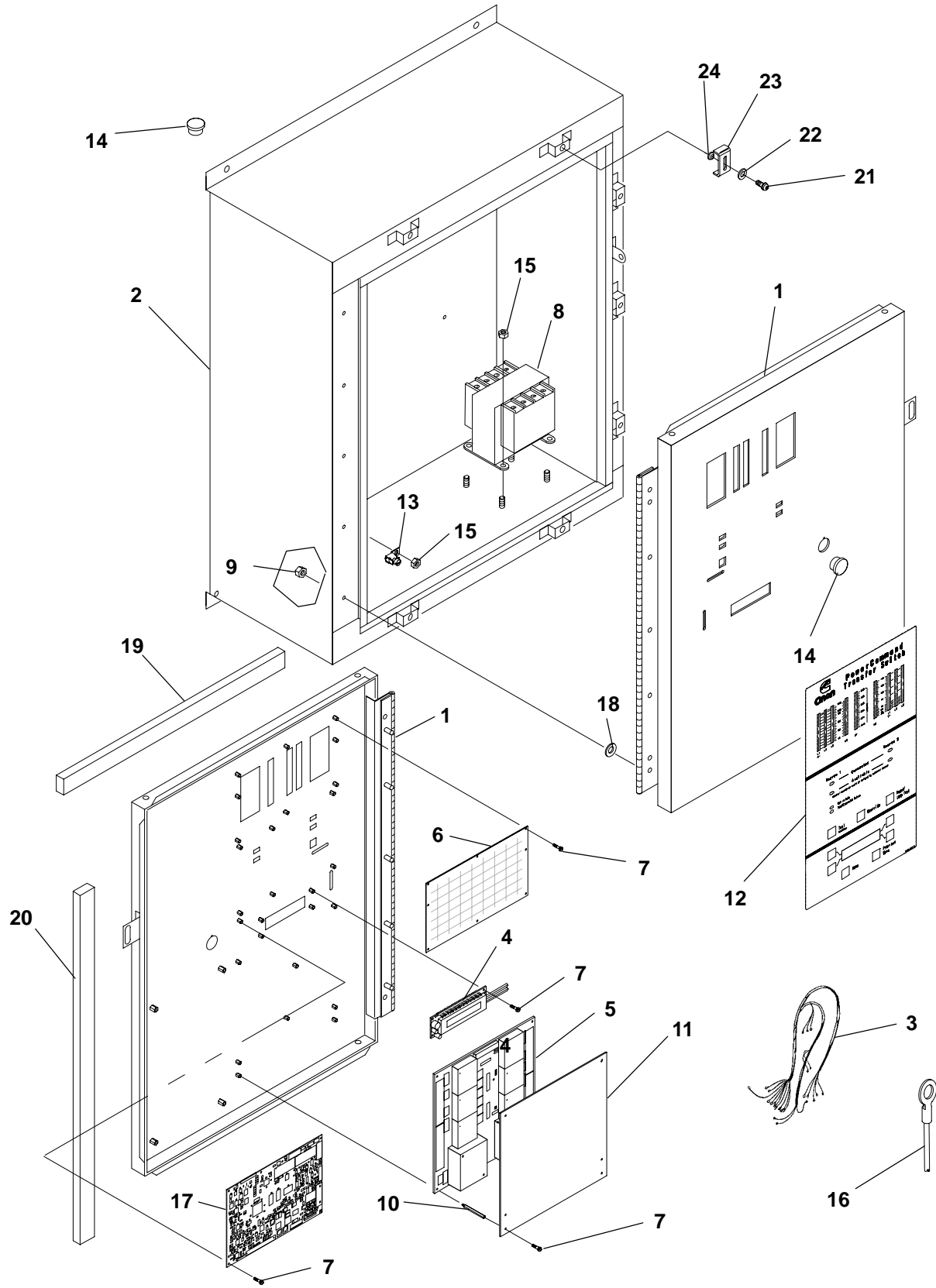




## Cabinet Type 3R and 12

REF NO.	PART NO.	QTY USED	PART DESCRIPTION	REF NO.	PART NO.	QTY USED	PART DESCRIPTION
1			Door, Cabinet	8	315-0661	1	Transformer, Power (600 VAC Only)
	319-3868-02	1	150/225 Amp				
	319-3878-02	1	260 Amp	9	870-0131	6	Nut, Hex - W/ET (10-32)
2			Cabinet	10	870-2216	4	Standoff, Male Snap
			<b>Type 3R Cabinet</b>	11	306-4523	1	Cover, Printed Circuit Board
	319-3867-03	1	150/225 Amp	12			Membrane, Panel
	319-3877-03	1	260 Amp				<b>Level 1 Control</b>
			<b>Type 12 Cabinet</b>		300-5391	1	Without Digital Display
	319-3867-04	1	150/225 Amp		300-5392	1	With Digital Display
	319-3877-04	1	260 Amp				<b>Level 2 Control</b>
3			Harness, Main		300-5392	1	Without Meters-Bar Graph
			<b>Level 1 Control</b>				Display
	338-3838-02	1	All Except 600 VAC		300-5393	1	With Meters-Bar Graph
	338-3851-02	1	600 VAC				Display
			<b>Level 2 Control</b>	13	332-3647	1	Lug, Solderless (1/4")
	338-3852-02	1	All Except 600 VAC	14	517-0266	5	Plug, Hole
	338-3853-02	1	600 VAC	15	406-0613	1	Handle, Door (Includes Key)
			<b>Generator to Generator Applications</b>	16	406-0649	1	Key, Replacement
	338-3852-03	1	All Except 600 VAC	17	306-3525	1	Latch, Cam (3 Point)
	338-3853-03	1	600 VAC	18			Rod, Roller
4	300-5151	1	Module, Digital Display		306-3526-01	2	150/225 Amp
5			Board, Printed Circuit - Power Module		306-3526-02	2	260 Amp
			<b>Level 1 Control</b>	19	870-0212	5	Nut, Self-Locking (1/4-20)
	300-5148-01	1	120 VAC	20			Lead (Quantity Used as Required)
	300-5148-02	1	208/220/240/440/480 VAC		226-3554-01	1	6.0"
					226-3554-02	1	3.0"
	300-5148-03	1	600 VAC	21		1	Board, Printed Circuit - Digital
	300-5148-04	1	190/380/416 VAC		300-5146	1	Level 1 Control
			<b>Level 2 Control</b>		300-5147-01	1	Level 2 Control
	300-5149-01	1	120 VAC	22	508-0233	6	Washer, Rubber
	300-5149-02	1	208/220/240/440/480 VAC	23			Gasket, Door
					895-0293-03	2	150/225 Amp
	300-5149-03	1	600 VAC		895-0293-05	2	260 Amp
	300-5149-04	1	190/380/416 VAC	24			Gasket, Door
6	300-5180	1	Board, Printed Circuit - Bar Graph		895-0293-04	2	150/225 Amp
					895-0293-06	2	260 Amp
7	815-0959-03	26	Screw, Pan Head (M3 x 8)	25	306-3467	2	Guide, Rod

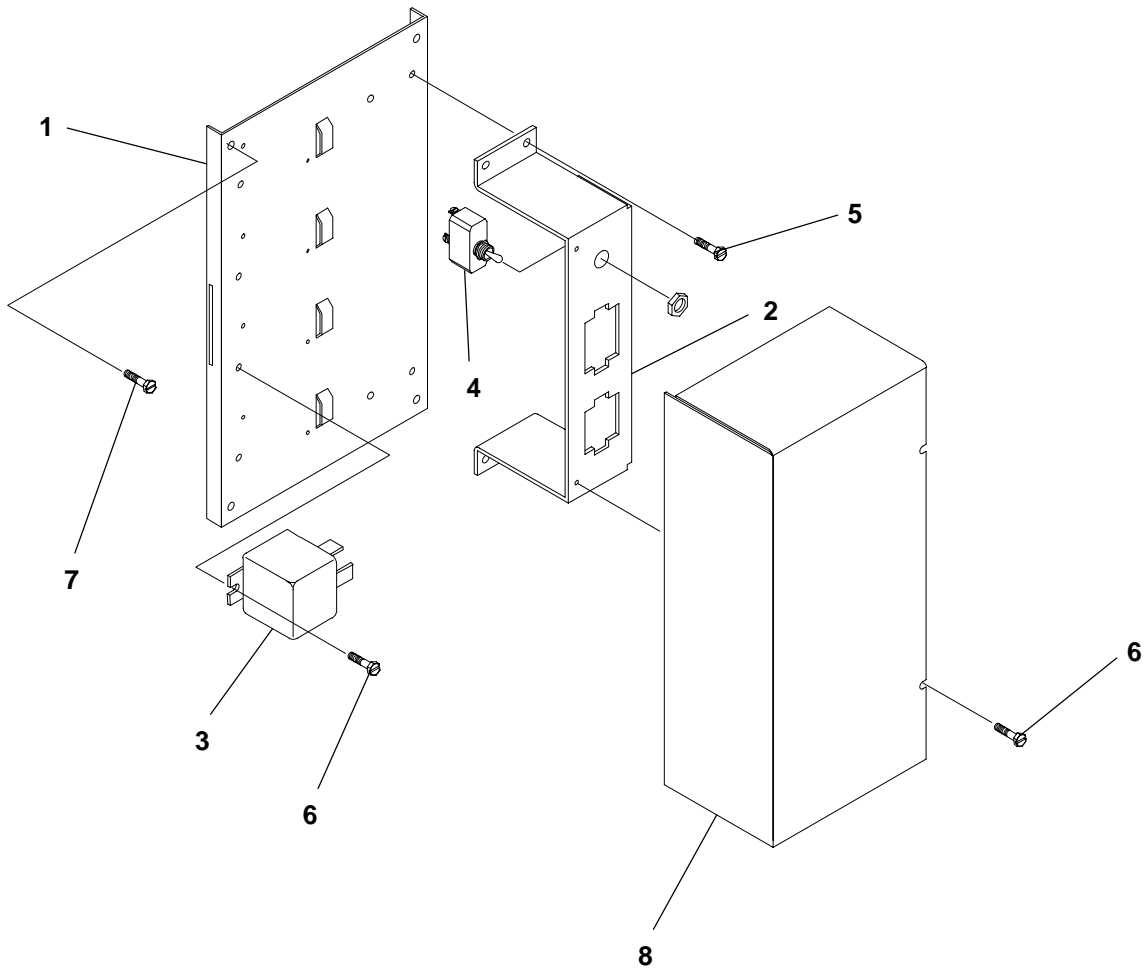
# Cabinet Type 4



## Cabinet Type 4

REF NO.	PART NO.	QTY USED	PART DESCRIPTION	REF NO.	PART NO.	QTY USED	PART DESCRIPTION
1			Door, Cabinet	9	870-0131	6	Nut, Hex – W/ET (10-32)
	319-3871-02	1	150/225 Amp	10	870-2216	4	Standoff, Male Snap
	319-3881-02	1	260 Amp	11	306-4523	1	Cover, Printed Circuit Board
2			Cabinet	12			Membrane, Panel
	319-3870-02	1	150/225 Amp		300-5391	1	<b>Level 1 Control</b>
	319-3880-02	1	260 Amp		300-5392	1	Without Digital Display
3			Harness, Main		300-5392	1	With Digital Display
			<b>Level 1 Control</b>				<b>Level 2 Control</b>
	338-3838-02	1	All Except 600 VAC		300-5392	1	Without Meters-Bar Graph
	338-3851-02	1	600 VAC				Display
			<b>Level 2 Control</b>		300-5393	1	With Meters-Bar Graph
	338-3852-02	1	All Except 600 VAC				Display
	338-3853-02	1	600 VAC	13	332-3647	1	Lug, Solderless (1/4")
			<b>Generator to Generator Applications</b>	14	517-0266	5	Plug, Hole
	338-3852-03	1	All Except 600 VAC	15	870-0212	5	Nut, Self-Locking (1/4-20)
	338-3853-03	1	600 VAC	16			Lead (Quantity Used as Required)
4	300-5151	1	Module, Digital Display		226-3554-01	1	6.0"
5			Board, Printed Circuit – Power Module		226-3554-02	1	3.0"
			<b>Level 1 Control</b>	17		1	Board, Printed Circuit – Digital
	300-5148-01	1	120 VAC		300-5146	1	Level 1 Control
	300-5148-02	1	208/220/240/440/480 VAC		300-5147-01	1	Level 2 Control
	300-5148-03	1	600 VAC	18	508-0233	6	Washer, Rubber
	300-5148-04	1	190/380/416 VAC	19			Gasket, Door
			<b>Level 2 Control</b>		895-0293-03	2	150/225 Amp
	300-5149-01	1	120 VAC		895-0293-05	2	260 Amp
	300-5149-02	1	208/220/240/440/480 VAC	20			Gasket, Door
	300-5149-03	1	600 VAC		895-0293-04	2	150/225 Amp
	300-5149-04	1	190/380/416 VAC		895-0293-06	2	260 Amp
6	300-5180	1	Board, Printed Circuit – Bar Graph	21	812-0177	7	Screw, Round Head (5/16-18 x .75)
7	815-0959-03	26	Screw, Pan Head (M3 x 8)	22	526-0022	7	Washer, Flat (5/16)
8	315-0661	1	Transformer, Power (600 VAC Only)	23	301-6727	7	Bracket, Door
				24	406-0519	7	Spring, Conical

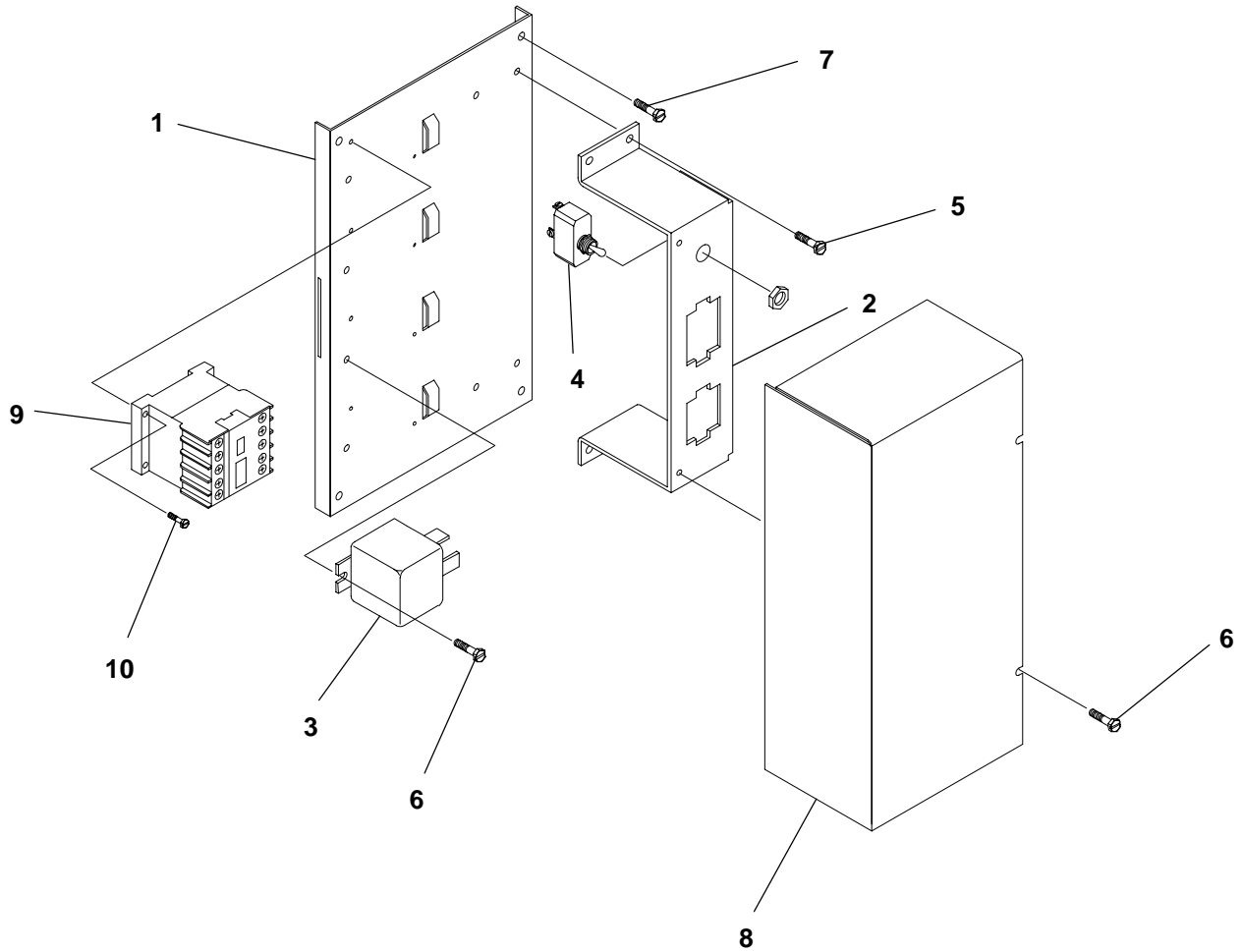
## Accessory Control Plate (Less than 600 Volt)



CP01

REF NO.	PART NO.	QTY USED	PART DESCRIPTION	REF NO.	PART NO.	QTY USED	PART DESCRIPTION
1	319-3940-02	1	Plate, Relay	6	815-0792-02	5	Screw, Pan Head – Crossed Recessed (M4 x 8)
2	319-3941-02	1	Bracket, Connector	7	815-0960-04	4	Screw, Pan Head – Crossed Recessed (M4 x 12)
3	307-2929	3	Relay – 3PDT	8	319-3942-02	1	Cover, Relay Plate
4	308-0406	1	Switch, Toggle				
5	815-0955-03	4	Screw, Phillips/Hex Head – GND (M4 x 10)				

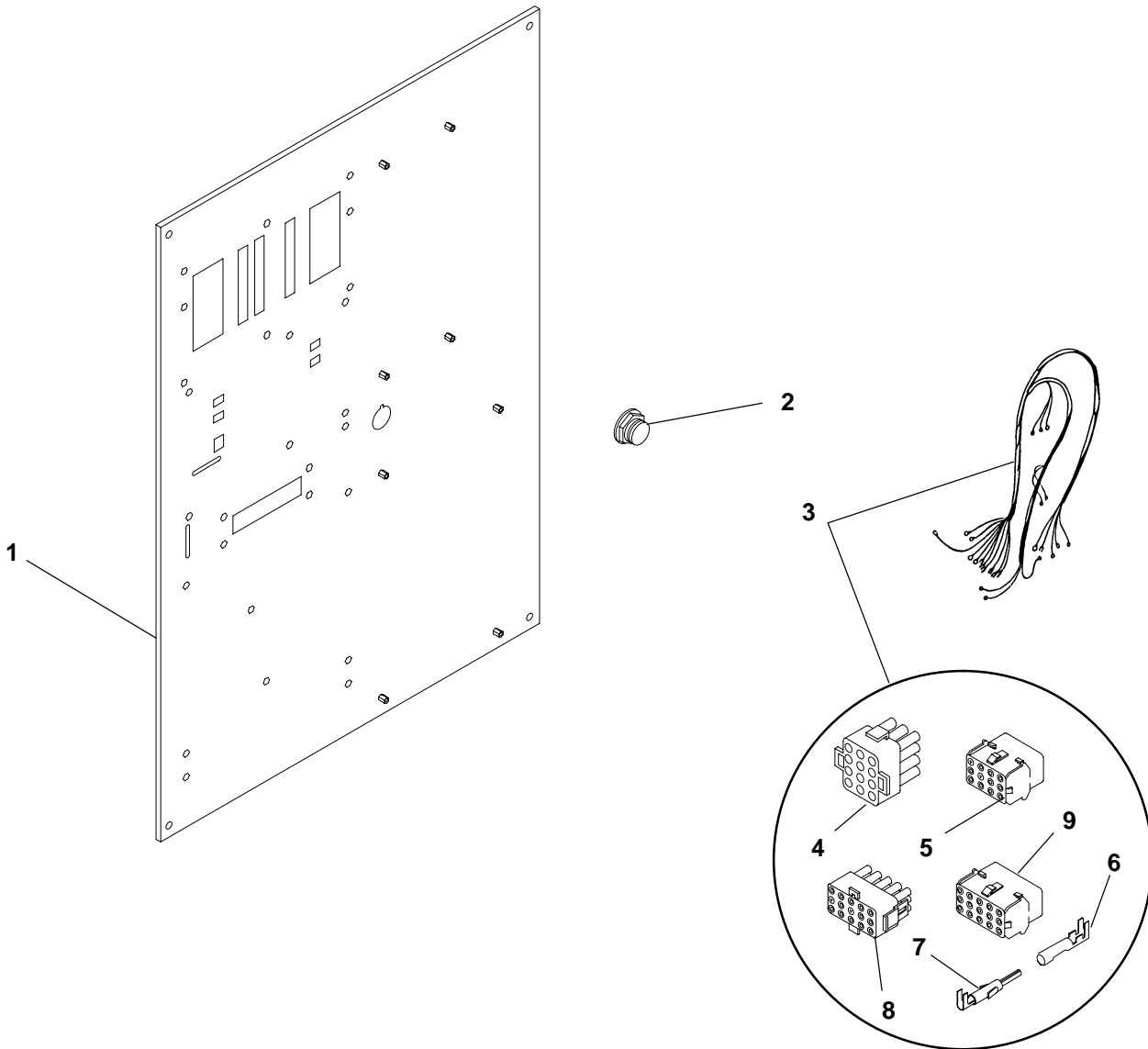
## Accessory Control Plate (600 Volt)



R027

REF NO.	PART NO.	QTY USED	PART DESCRIPTION	REF NO.	PART NO.	QTY USED	PART DESCRIPTION
1	319-3940-02	1	Plate, Relay	7	815-0960-04	4	Screw, Pan Head – Crossed Recessed (M4 x 12)
2	319-3941-02	1	Bracket, Connector	8	319-3942-02	1	Cover, Relay Plate
3	307-2929	1	Relay – 3PDT	9	307-2931	2	Relay, Control
4	308-0406	1	Switch, Toggle	10	815-0958-04	4	Screw, Pan Head – Cross Recessed (M3 x 12)
5	815-0955-03	4	Screw, Phillips/Hex Head – GND (M4 x 10)				
6	815-0792-02	3	Screw, Pan Head – Crossed Recessed (M4 x 8)				

## Plate and Wiring Harness (Open Construction)



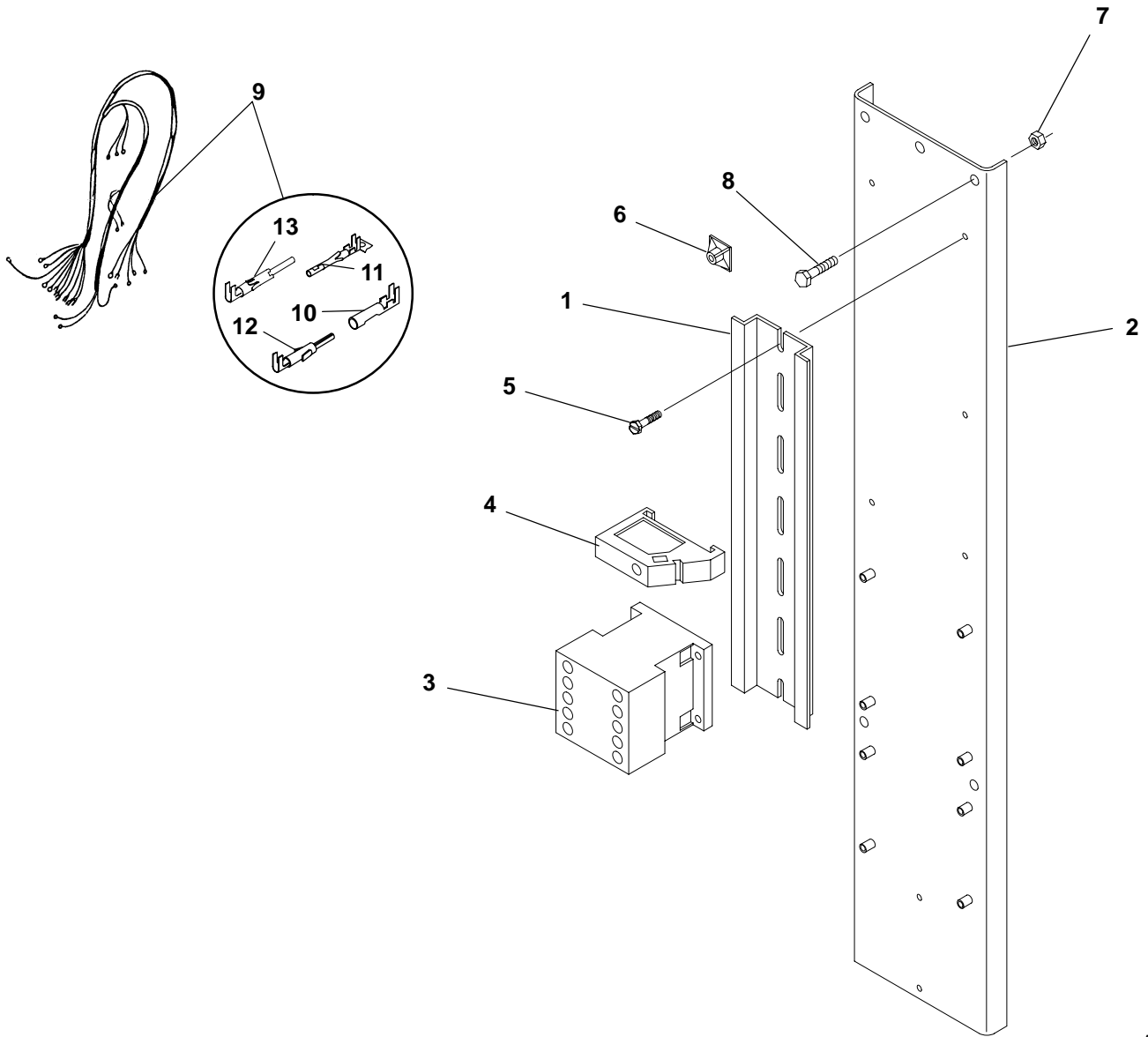
B004, N013

REF NO.	PART NO.	QTY USED	PART DESCRIPTION
1	319-4011-02	1	Plate, Open Construction
2	517-0266	1	Plug, Hole
3	338-2219	1	Harness, Control (Optional) With 12 Pin Connector (Includes Parts Marked *)
	338-2220	1	With 15 Pin Connector (Includes Parts Marked #)
4	323-1314	1	* Plug, Connector (12 Pin) (P2)
5	323-1315	1	* Cap, Connector (12 Pin) (J2)

REF NO.	PART NO.	QTY USED	PART DESCRIPTION
6			*# Socket, Contact
	323-1200	12	338-2219 Wiring Harness
	323-1200	15	338-2220 Wiring Harness
7			*# Pin, Contact
	323-1199	12	338-2219 Wiring Harness
	323-1199	15	338-2220 Wiring Harness
8	323-1252	1	# Plug, Connector (15 Pin) (P1)
9	323-1253	1	# Cap, Connector (15 Pin) (J1)

\* – Parts Included in 338-2219 Wiring Harness  
# – Parts Included in 338-2220 Wiring Harness

## Wiring Harness Battery Charger (Generator Set to Generator Set)

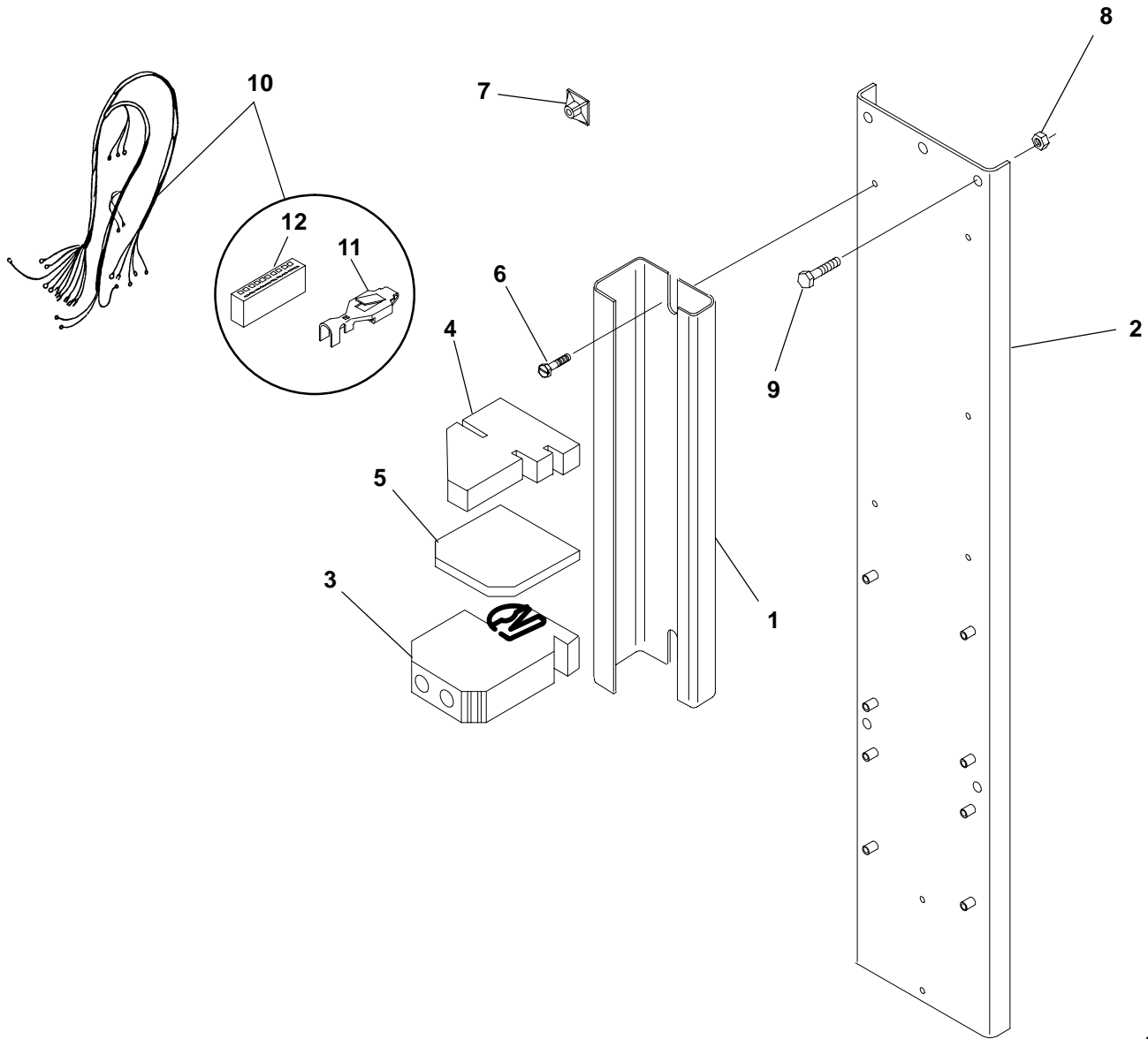


A037

REF NO.	PART NO.	QTY USED	PART DESCRIPTION	REF NO.	PART NO.	QTY USED	PART DESCRIPTION
1	332-2879-04	1	Rail, Terminal	9	338-3836	1	Harness, Battery Charger (Includes Parts Marked *)
2	319-3943	1	Plate, Mounting	10	323-1200	2	* Socket, Contact
3	307-2873	1	Relay, Control (12 VDC)	11	332-3606	1	* Socket, Contact
4	332-2878	2	Bracket, End	12	323-1199	2	* Pin, Contact
5	815-0955-03	2	Screw, Phillips/Hex Head – GND (M4 x 10)	13	323-1703	2	* Pin, Contact
6	332-2420	2	Mount, Cable Tie				
7	870-0212	4	Nut, Self-Locking (1/4-20)				
8	800-0005	4	Screw, Cap – Hex Head (1/4-20 x .75)				

\* – Parts Included in 338-3836 Wiring Harness

## Battery Charger Alarm



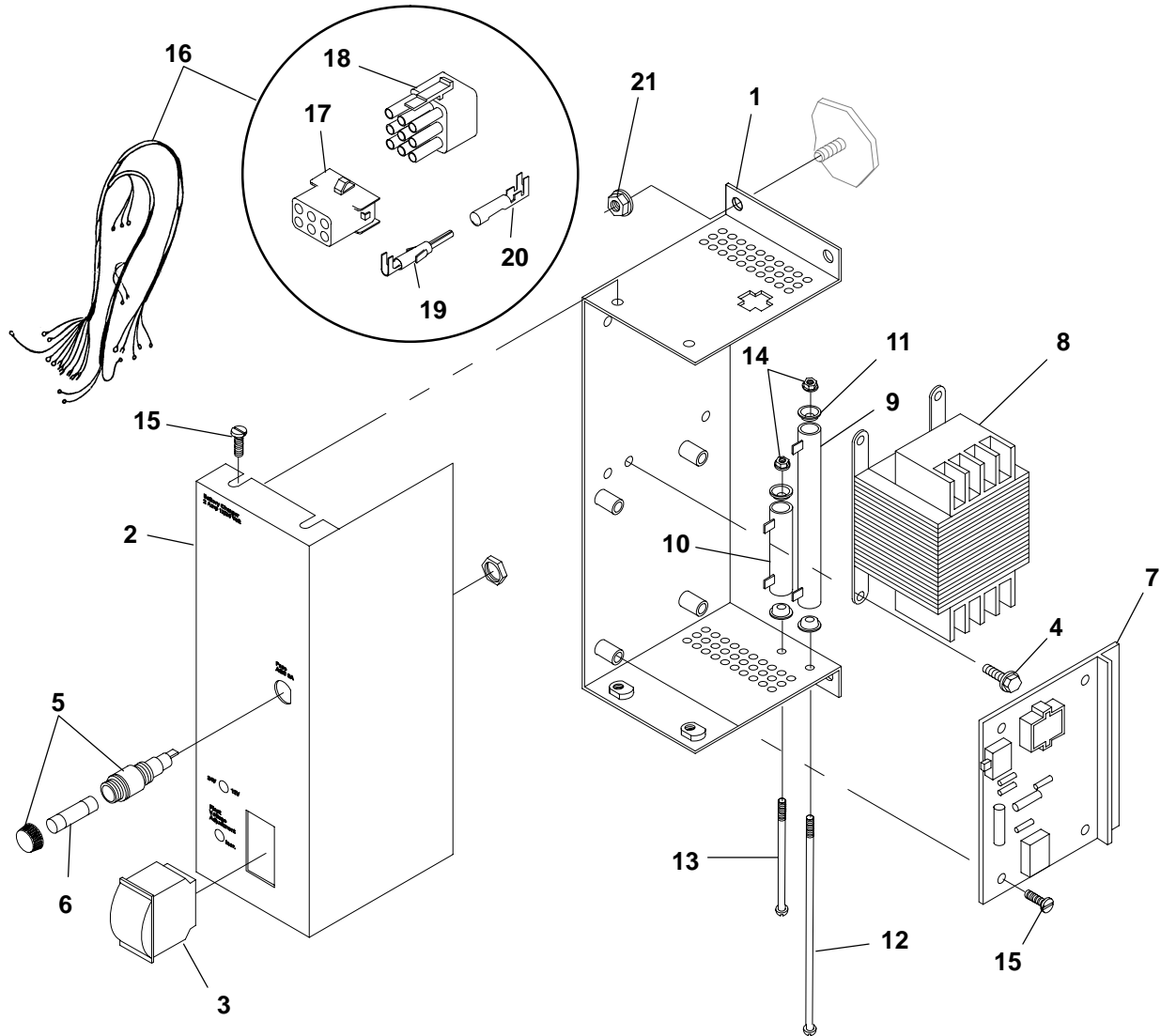
N002

REF NO.	PART NO.	QTY USED	PART DESCRIPTION	REF NO.	PART NO.	QTY USED	PART DESCRIPTION
1	332-2837-09	1	Rail, Terminal Block	9	800-0005	4	Screw, Cap – Hex Head (1/4–20 x .75)
2	319-3943	1	Plate, Mounting	10	338-2350	1	Harness, Alarm (Includes Parts Marked *)
3	332-2836-02	1	Block, Terminal (Sectional)	11	323-1302	9	* Pin, Contact (J2)
4	332-2839	2	Bracket, End – Terminal	12	323-1374-10	1	* Housing, Connector (10 Pin) (J2)
5	332-2841	1	Plate, End – Terminal				
6	815-0955-03	2	Screw, Phillips/Hex Head – GND (M4 x 10)				
7	332-2420	2	Mount, Cable Tie				
8	870-0212	4	Nut, Self-Locking (1/4–20)				

\* – Parts Included in 338-2349 Wiring Harness



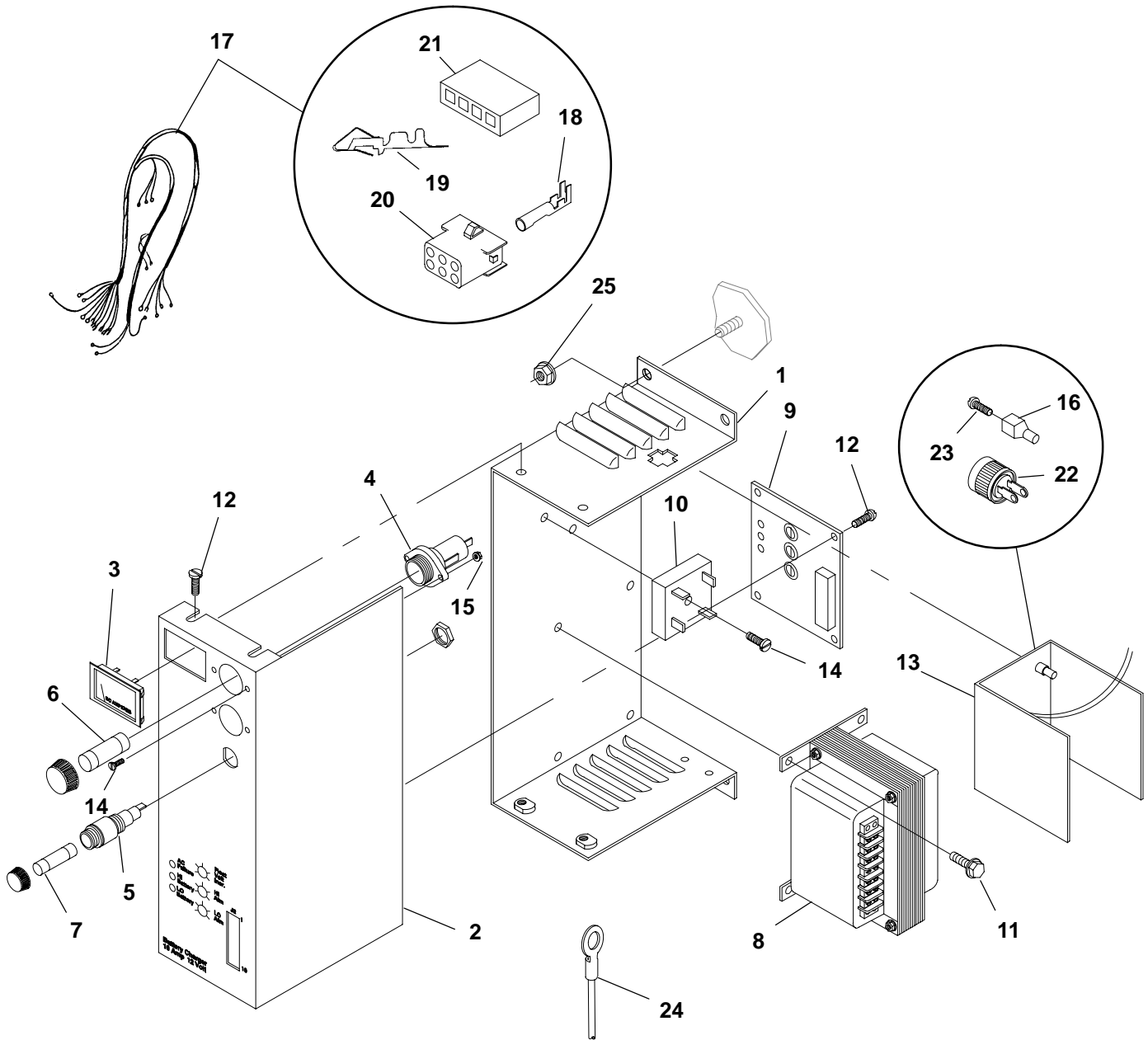
## Battery Charger 2 Amp, 12/24 Volt



REF NO.	PART NO.	QTY USED	PART DESCRIPTION	REF NO.	PART NO.	QTY USED	PART DESCRIPTION
1	301-9990	1	Wrapper, Charger – Battery	13	813-0112	1	Screw, Machine – Round Head (#10-32 x 2-1/2)
2	301-9991	1	Cover, Charger – Battery	14	870-0131	2	Nut, Hex – W/ET (#10-32)
3	302-0807	1	Ammeter, DC	15	815-0845	8	Screw, Pan Head – W/ET (#6-32 x 3/8)
4	821-0040	4	Screw, Machine – Locking Head Slotted (#10-32 x 5/16)	16	338-2149	1	Harness, Wiring (Includes Parts Marked #)
5	321-0175	1	Holder, Fuse	17	323-1318	1	*Cap, 6 pin (J6)
6	321-0153	1	Fuse, 3 Amp	18	323-1291	1	*Plug, 9 pin (P9)
7	300-2946	1	Board, Printed Circuit	19	323-1199	A/R	*Pin, Terminal
8			Transformer	20	323-1200	A/R	*Socket, Terminal
	315-0621-01	1	120 Volt	21	862-0026-53	4	Nut, Hex – W/ET (M5)
	315-0621-02	1	208/240/480 Volt				
	315-0621-03	1	380/416 Volt				
	315-0621-04	1	600 Volt				
9	304-0037	1	Resistor, Fixed				
10	304-0139	1	Resistor, Fixed				
11	304-0015	4	Washer, Centering (7/32")				
12	813-0116	1	Screw, Machine – Round Head (#10-32 x 6-1/2)				

\* – Parts Included in 338-2149 Wiring Harness

# Battery Charger 10 Amp, 12 Volt



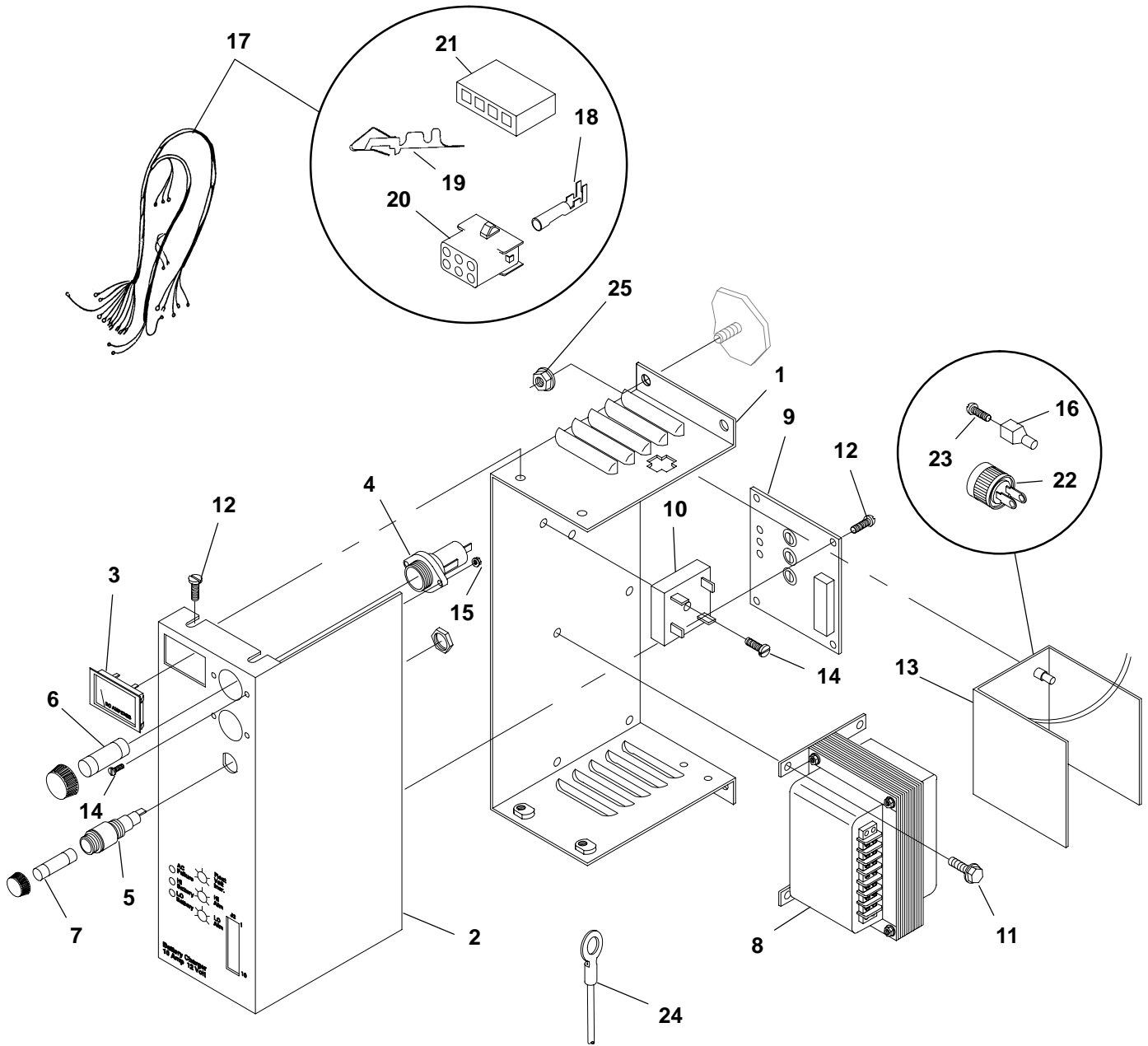
## Battery Charger 10 Amp, 12 Volt

REF NO.	PART NO.	QTY USED	PART DESCRIPTION	REF NO.	PART NO.	QTY USED	PART DESCRIPTION
1	319-0072	1	Wrapper, Charger – Battery	9	300-3160	1	PCB, Charger – Battery
2	319-0073	1	Cover, Charger – Battery	10	305-0653	1	Rectifier, Bridge
3	302-1844	1	Ammeter, DC	11	821-0040	4	Screw, Machine – Locking Head (#10-32 x 5/16)
4	321-0237	2	Holder, Fuse (AC Input)	12	815-0845	8	Screw, Pan Head – W/ET (#6-32 x 3/8)
5	321-0104	1	Holder, Fuse (DC Output)	13	305-0781	1	Rectifier Assembly – SCR (12 Volt) (Includes Parts Marked *)
6			Fuse	14	815-0539	6	Screw, Pan Head – W/ET (#8-32 x 5/8)
			<b>50 Hertz</b>	15	870-0221	5	Nut, Hex – W/ET (#8-32)
	321-0304-01	2	416/440 Volt	16	870-0263	4	*Nut, Insulated (#8)
	321-0304-02	2	380 Volt	17	338-2223	1	Harness, Battery Charger (Includes Parts Marked #)
	321-0304-03	2	240 Volt	18	323-1200	A/R	#Socket, Terminal
	321-0304-04	2	220 Volt	19	323-1302	A/R	#Pin, Terminal
			<b>60 Hertz</b>	20	323-1318	1	#Cap, 6 pin
	321-0304-01	2	480 Volt	21	323-1374-05	1	#Plug, 5 pin
	321-0304-02	2	380 Volt	22	364-0003	1	*Rectifier, Gate (SCR)
	321-0304-03	2	240 Volt	23	809-0035	4	*Screw, Sheet Metal – Round Head (#8 x 3/4)
	321-0304-04	2	208 Volt	24	226-3554-02	1	Lead (Quantity Used as Required)
	321-0304-05	2	120 Volt	25	862-0026-53	4	Nut, Hex – W/ET (M5)
	321-0303-02	2	600 Volt				
7	321-0127	1	Fuse (15 Amp)				
8			Transformer				
			<b>50 Hertz</b>				
	315-0702	1	380 Volt				
	315-0704	1	220/416/440 Volt				
	315-0712	1	240 Volt				
			<b>60 Hertz</b>				
	315-0700	1	120/208/240 Volt				
	315-0706	1	380 Volt				
	315-0708	1	480 Volt				
	315-0710	1	600 Volt				

# – Parts Included in 338-2223 Wiring Harness

\* – Parts Included in 305-0781 Rectifier Assembly

# Battery Charger 10 Amp, 24 Volt



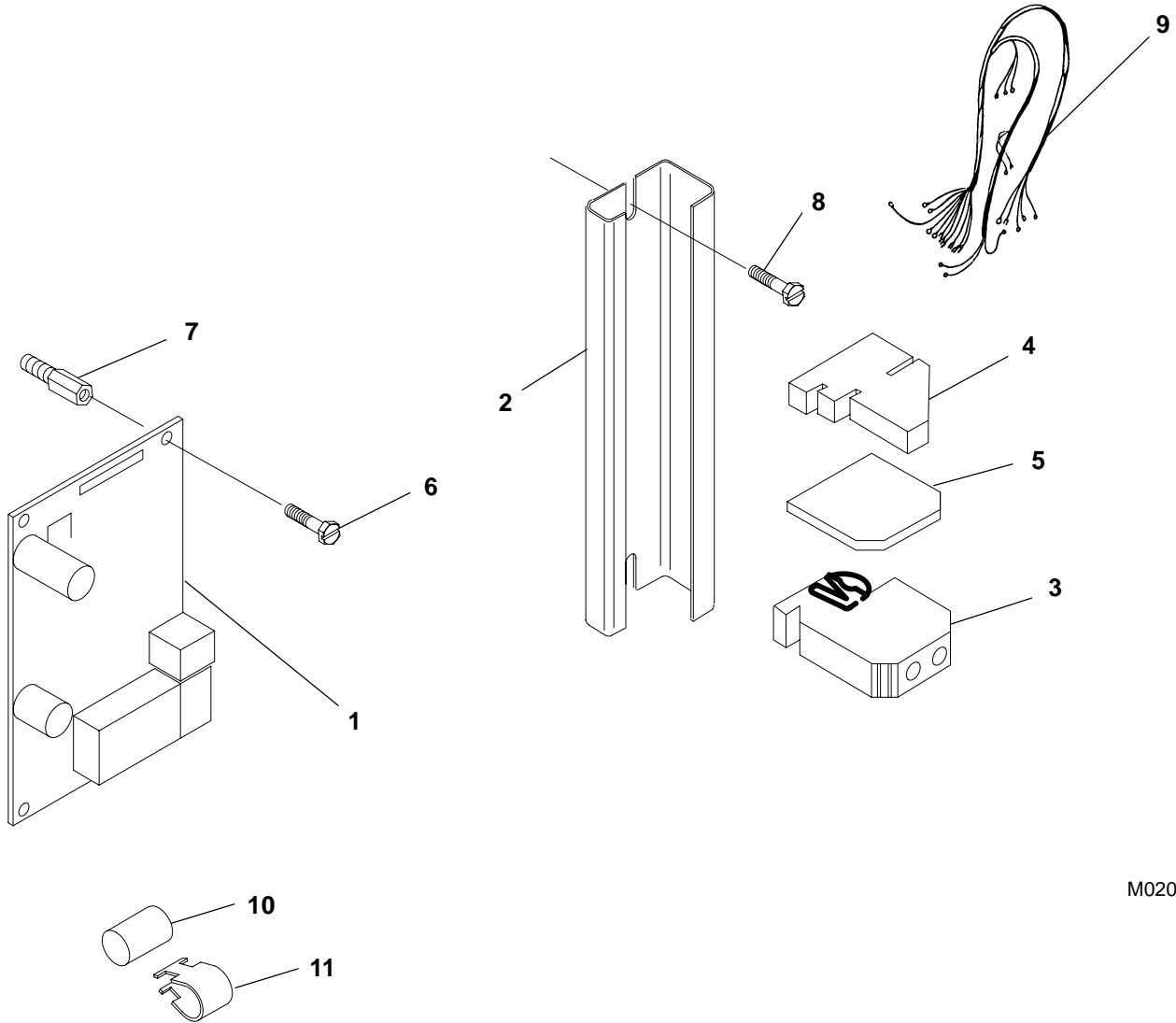
## Battery Charger 10 Amp, 24 Volt

REF NO.	PART NO.	QTY USED	PART DESCRIPTION	REF NO.	PART NO.	QTY USED	PART DESCRIPTION
1	319-0072	1	Wrapper, Charger – Battery	9	300-3244	1	PCB, Charger – Battery
2	319-0073	1	Cover, Charger – Battery (Includes Silkscreen)	10	305-0653	1	Rectifier, Bridge
3	302-1844	1	Ammeter, DC	11	821-0040	4	Screw, Machine – Locking Head (#10-32 x 5/16)
4	321-0237	2	Holder, Fuse (AC Input)	12	815-0845	8	Screw, Pan Head – W/ET (#6-32 x 3/8)
5	321-0104	1	Holder, Fuse (DC Output)	13	305-0781	1	Rectifier Assembly – SCR (12 Volt) (Includes Parts Marked *)
6			Fuse				
			<b>50 Hertz</b>				
	321-0304-04	2	380/416/440 Volt				
	321-0304-05	2	240 Volt	14	815-0539	6	Screw, Pan Head – W/ET (#8-32 x 5/8)
	321-0304-06	2	220 Volt				
			<b>60 Hertz</b>				
	321-0303-02	2	600 Volt	15	870-0221	5	Nut, Hex – W/ET (#8-32)
	321-0304-03	2	480 Volt	16	870-0263	4	*Nut, Insulated (#8)
	321-0304-04	2	380 Volt	17	338-2223	1	Harness, Battery Charger (Includes Parts Marked #)
	321-0304-05	2	240 Volt	18	323-1200	A/R	#Socket, Terminal
	321-0304-06	2	120/208 Volt	19	323-1302	A/R	#Pin, Terminal
7	321-0127	1	Fuse (15 Amp)	20	323-1318	1	#Cap, 6 pin
8			Transformer	21	323-1374-05	1	#Plug, 5 pin
			<b>50 Hertz</b>	22	364-0003	1	*Rectifier, Gate (SCR)
	315-0705	1	220/416/440 Volt	23	809-0035	4	*Screw, Sheet Metal – Round Head (#8 x 3/4)
	315-0703	1	380 Volt				
	315-0713	1	240 Volt	24	226-3554-02	1	Lead (Quantity Used as Required)
			<b>60 Hertz</b>	25	862-0026-53	4	Nut, Hex – W/ET (M5)
	315-0701	1	120/208/240 Volt				
	315-0707	1	380 Volt				
	315-0709	1	480 Volt				
	315-0711	1	600 Volt				

# – Parts Included in 338-2223 Wiring Harness

\* – Parts Included in 305-0781 Rectifier Assembly

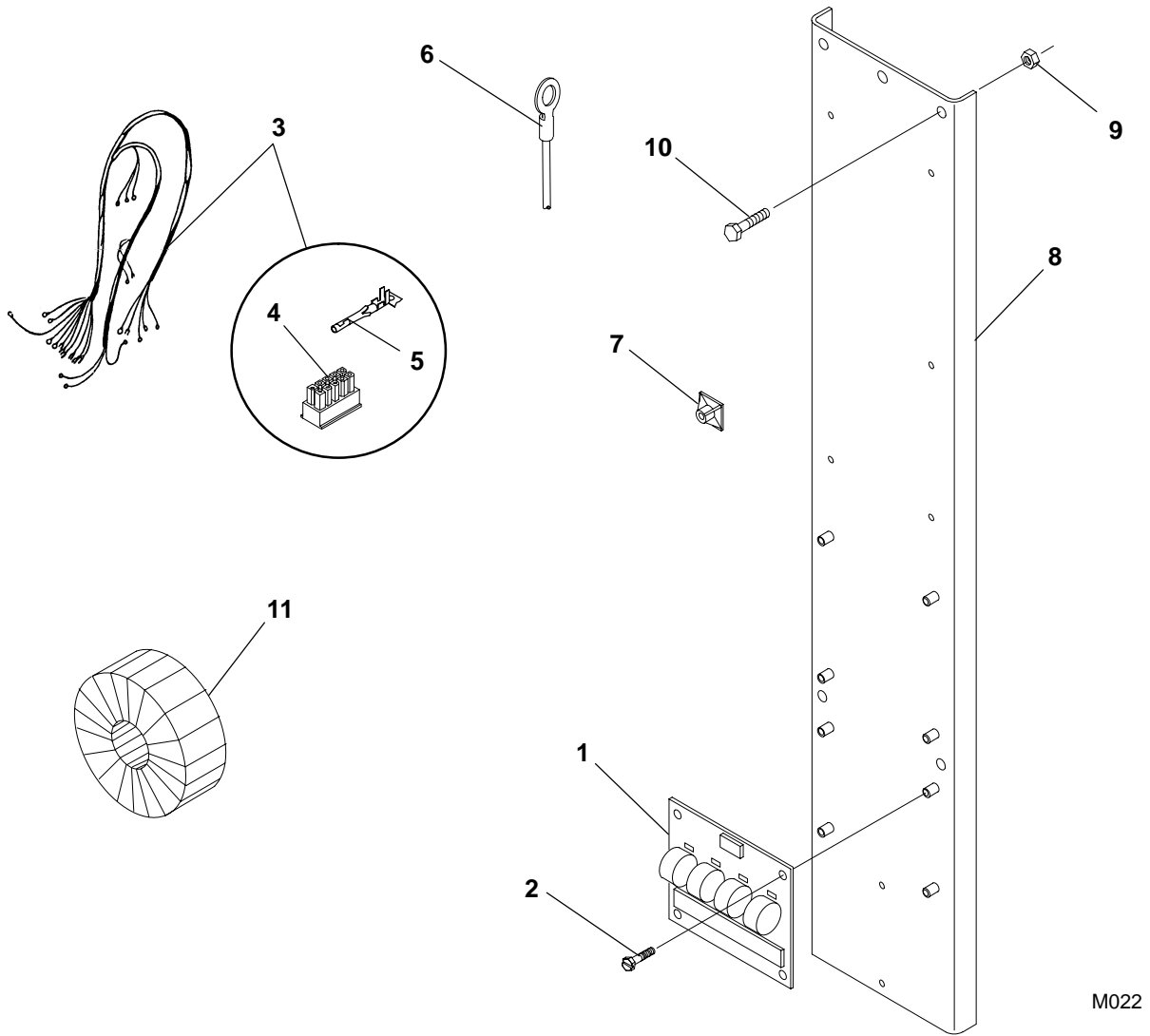
# Network Module



M020

REF NO.	PART NO.	QTY USED	PART DESCRIPTION	REF NO.	PART NO.	QTY USED	PART DESCRIPTION
1	300-5153	1	Board, Printed Circuit - Network Module	7	870-2213-02	4	Standoff, Hex Thread (M3)
2	332-2837-09	1	Rail, Terminal Block	8	815-0955-03	2	Screw, Phillips/Hex Head - GND (M4 x 10)
3	332-2836-01	2	Block, Terminal (Sectional)	9	338-3886	1	Harness, Network
4	332-2839	2	Bracket, End - Terminal	10		2	Battery - Lithium (3.0V) (Purchase Locally)
5	332-2841	1	Plate, End - Terminal	11	416-1049	2	Clip, Battery
6	815-0959-03	4	Screw, Pan Head (M3 x 0.5 x 8)				

# Current Transformer Module

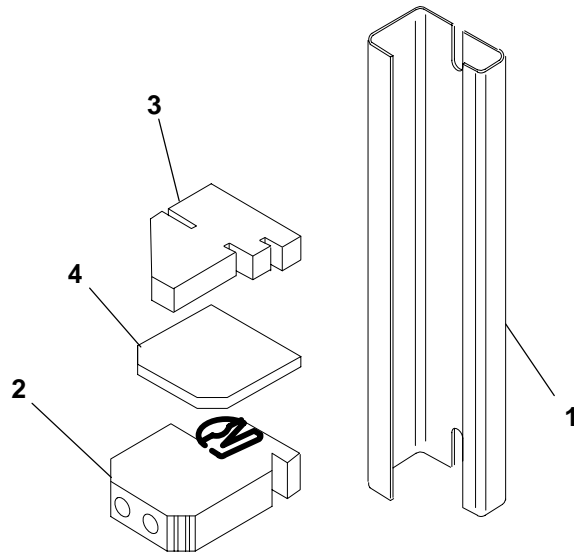


M022

REF NO.	PART NO.	QTY USED	PART DESCRIPTION	REF NO.	PART NO.	QTY USED	PART DESCRIPTION
1	300-5254	1	Board, Printed Circuit – Current Module	11			Transformer, Current <b>150 Amp</b>
2	815-0959-03	4	Screw, Pan Head (M3 x 8)	302-1811	2		120 VAC
3	338-3884-01	1	Harness, Current Module (Includes Parts Marked *)	302-1811	3		1 Phase, 2 or 3 Wire
4	323-1806-05	2	* Connector, Receptacle (10 Pin)	302-1811	4		3 Phase, 3 or 4 Wire
5	332-3606	20	* Socket, Contact				<b>225 Amp</b>
6			Lead	302-0209	2		120 VAC
	226-4794-03	1	15" (Marked J40-14, GND)	302-0209	3		1 Phase, 2 or 3 Wire
	226-4794-04	4	3" (No Markings)	302-0209	4		3 Phase, 3 or 4 Wire
7	332-2420	2	Mount, Cable Tie				<b>260 Amp</b>
8	319-3943	1	Plate, Mounting	302-1393	2		120 VAC
9	870-0212	4	Nut, Self-Locking (1/4-20)	302-1393	3		1 Phase, 2 or 3 Wire
10	800-0005	4	Screw, Cap – Hex Head (1/4-20 x .75)	302-1393	4		3 Phase, 3 or 4 Wire

\* – Parts Included in 338-3884-01 Wiring Harness

# Terminal Block

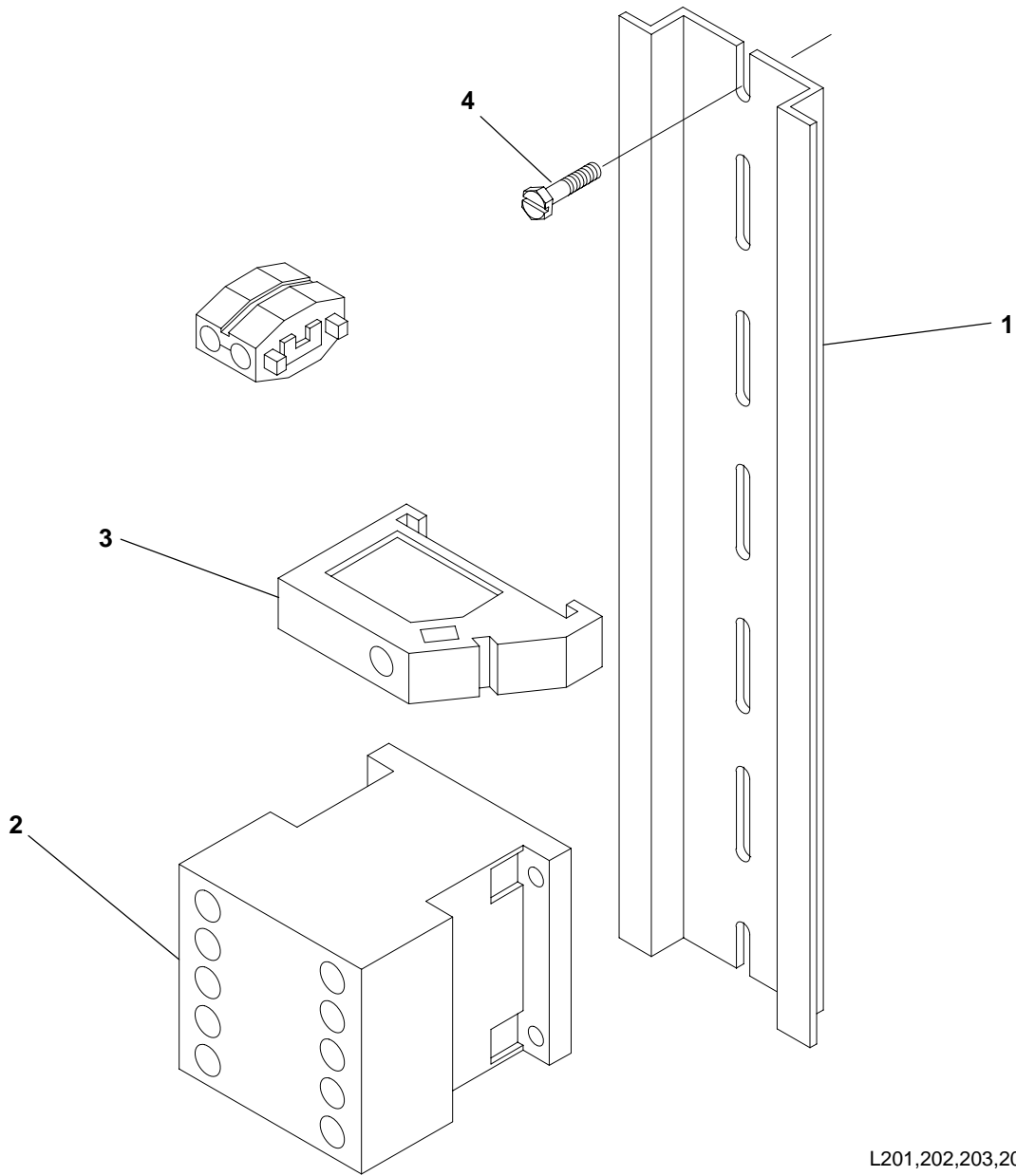


A037,K001,K002,K003

REF NO.	PART NO.	QTY USED	PART DESCRIPTION	REF NO.	PART NO.	QTY USED	PART DESCRIPTION
1	332-2837-09	1	Rail, Terminal Block	3	332-2839	2	Bracket, End – Terminal
2	332-2836-02	3	Block, Terminal (Sectional)	4	332-2841	1	Plate, End – Terminal



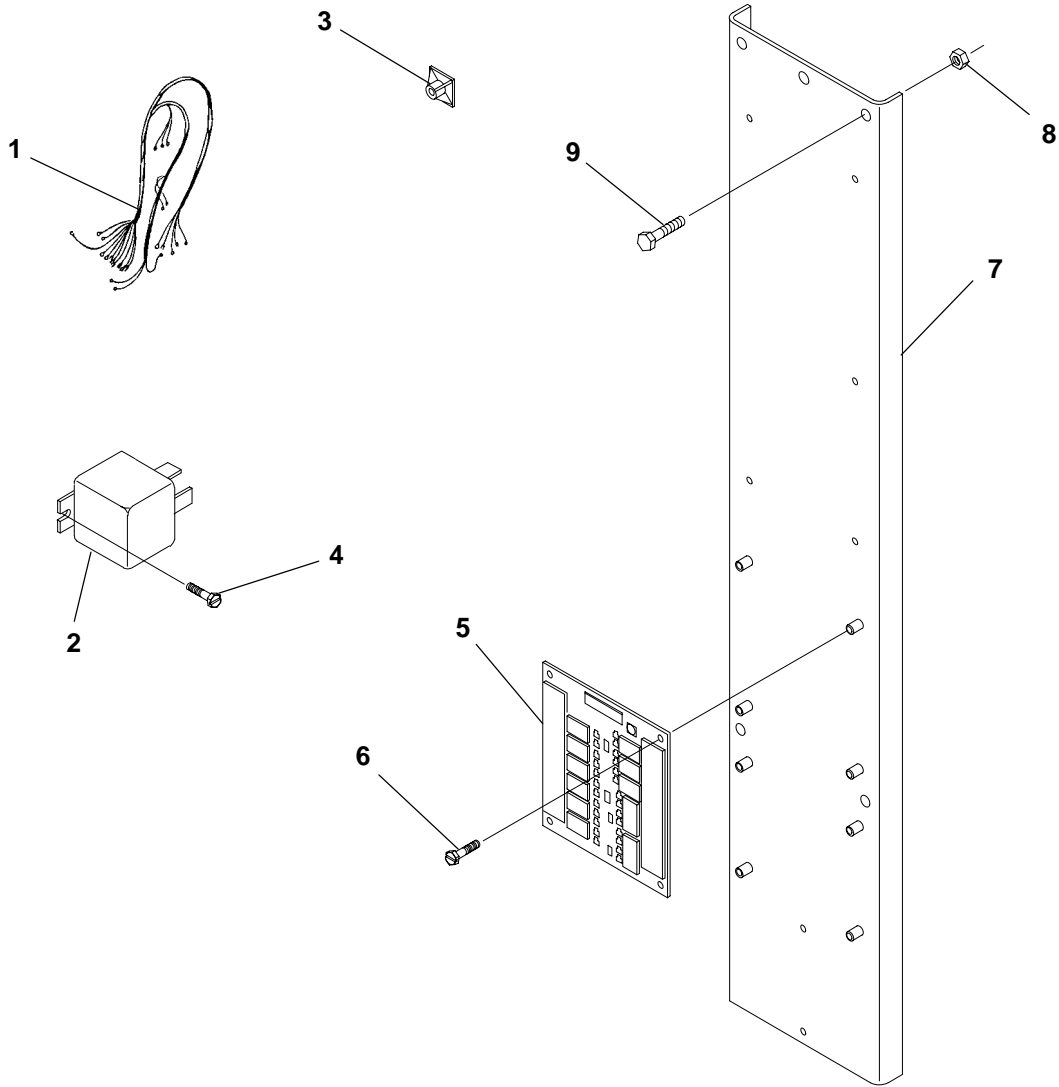
## Auxiliary Relay



L201,202,203,204,101,102,103,104

REF NO.	PART NO.	QTY USED	PART DESCRIPTION	REF NO.	PART NO.	QTY USED	PART DESCRIPTION
1	332-2879-02	1	Rail, Terminal	3	332-2878	2	Bracket, End
2	307-2873	1	Relay, Control 12 VDC	4	815-0955-03	2	Screw, Phillips/Hex Head – GND (M4 x 10)
	307-2874	1	24 VDC				

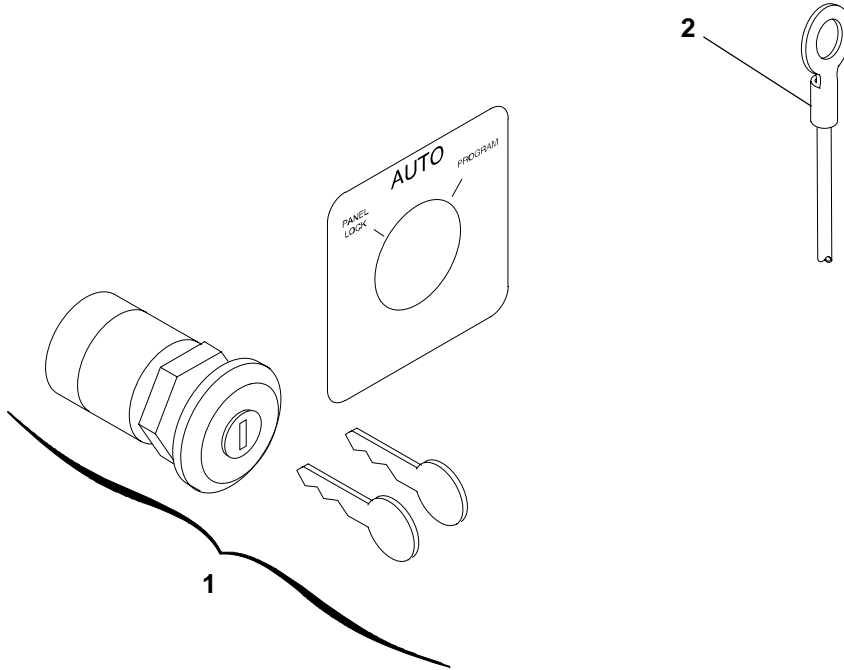
## Load Shed



M007,R027

REF NO.	PART NO.	QTY USED	PART DESCRIPTION	REF NO.	PART NO.	QTY USED	PART DESCRIPTION
1	338-3876-01	1	Harness, Load Shed	6	815-0959-03	4	Screw, Pan Head (M3 x 8)
	338-3876-02	1	All Except 600 Volt	7	319-3943	1	Plate, Mounting
2	307-2929	1	Relay - 3PDT (12 VDC)	8	870-0212	4	Nut, Self-Locking (1/4-20)
3	332-2420	2	Mount, Cable Tie	9	800-0005	4	Screw, Cap - Hex Head (1/4-20 x .75)
4	815-0792-02	1	Screw, Pan Head (M4 x 8)				
5	300-5152	1	Board, Printed Circuit - Relay Module				

## Front Panel Security



M017

REF NO.	PART NO.	QTY USED	PART DESCRIPTION	REF NO.	PART NO.	QTY USED	PART DESCRIPTION
1	308-1094	1	Switch, Selector	2	226-4794-01	1	Lead 14" (Marked S20-2 - J27-5)
					226-4794-02	1	16" (Marked S20-2 - J27-11)

# Numerical Index

<u>Part No.</u>	<u>Page</u>	<u>Part No.</u>	<u>Page</u>	<u>Part No.</u>	<u>Page</u>	<u>Part No.</u>	<u>Page</u>
226-3380,	7	305-0653,	25, 27	306-4404-03,	7	306-4407-04,	7
226-3554-01,	13, 15, 17	305-0781,	25, 27	306-4404-04,	7	306-4407-05,	7
226-3554-02,	13, 15, 17,	306-0268,	9	306-4404-05,	7	306-4407-07,	7
	25, 27	306-0508,	9	306-4404-06,	7	306-4407-08,	7
226-4794-01,	33	306-1381,	10	306-4404-07,	7	306-4407-09,	7
226-4794-02,	33	306-1382,	10	306-4404-08,	7	306-4407-10,	7
226-4794-03,	29	306-1396,	9	306-4404-09,	7	306-4407-12,	7
226-4794-04,	29	306-1842,	9, 10	306-4404-10,	7	306-4407-13,	7
300-2946,	23	306-2340,	7	306-4404-11,	7	306-4407-14,	7
300-3160,	25	306-2352,	9	306-4404-12,	7	306-4407-15,	7
300-3244,	27	306-3391,	11	306-4404-13,	7	306-4523,	13, 15, 17
300-5146,	13, 15, 17	306-3400-02,	7	306-4404-14,	7	307-2873,	21, 31
300-5147-01,	13, 15, 17	306-3417,	9, 11	306-4404-15,	7	307-2874,	31
300-5148-01,	13, 15, 17	306-3418,	7	306-4405-02,	7	307-2929,	18, 19, 32
300-5148-02,	13, 15, 17	306-3420,	11	306-4405-03,	7	307-2931,	19
300-5148-03,	13, 15, 17	306-3467,	13, 15	306-4405-04,	7	308-0406,	18, 19
300-5148-04,	13, 15, 17	306-3471-01,	9	306-4405-05,	7	308-1094,	33
300-5149-01,	13, 15, 17	306-3471-02,	9	306-4405-07,	7	309-0393,	11
300-5149-02,	13, 15, 17	306-3471-03,	9	306-4405-08,	7	312-0203,	9
300-5149-03,	13, 15, 17	306-3471-05,	9	306-4405-09,	7	312-0204,	9
300-5149-04,	13, 15, 17	306-3471-06,	9	306-4405-10,	7	312-0209,	9
300-5151,	13, 15, 17	306-3473,	7	306-4405-12,	7	315-0621-01,	23
300-5152,	32	306-3482,	9	306-4405-13,	7	315-0621-02,	23
300-5153,	28	306-3483,	7	306-4405-14,	7	315-0621-03,	23
300-5180,	13, 15, 17	306-3525,	15	306-4405-15,	7	315-0621-04,	23
300-5185,	13	306-3526-01,	15	306-4406-01,	7	315-0661,	13, 15, 17
300-5186,	13	306-3526-02,	15	306-4406-02,	7	315-0700,	25
300-5254,	29	306-3573,	9	306-4406-03,	7	315-0701,	27
300-5271,	13	306-3574,	7	306-4406-04,	7	315-0702,	25
300-5391,	15, 17	306-3575,	9	306-4406-05,	7	315-0703,	27
300-5392,	15, 17	306-3576,	9	306-4406-06,	7	315-0704,	25
300-5393,	15, 17	306-3578,	9	306-4406-07,	7	315-0705,	27
301-6727,	17	306-3601,	9	306-4406-08,	7	315-0706,	25
301-9990,	23	306-3627,	9	306-4406-09,	7	315-0707,	27
301-9991,	23	306-3979,	13	306-4406-10,	7	315-0708,	25
302-0209,	29	306-4079-01,	9	306-4406-11,	7	315-0709,	27
302-0807,	23	306-4079-02,	9	306-4406-12,	7	315-0710,	25
302-1393,	29	306-4080-01,	9	306-4406-13,	7	315-0711,	27
302-1811,	29	306-4080-02,	9	306-4406-14,	7	315-0712,	25
302-1844,	25, 27	306-4269,	7	306-4406-15,	7	315-0713,	27
304-0015,	23	306-4404-01,	7	306-4407-02,	7	319-0072,	25, 27
304-0037,	23	306-4404-02,	7	306-4407-03,	7	319-0073,	25, 27
304-0139,	23						

# Numerical Index

<u>Part No.</u>	<u>Page</u>	<u>Part No.</u>	<u>Page</u>	<u>Part No.</u>	<u>Page</u>	<u>Part No.</u>	<u>Page</u>
319-3864-02,	13	323-1318,	23, 25, 27	338-3853-02,	13, 15, 17	815-0527,	9
319-3865-02,	13	323-1374-05,	25, 27	338-3853-03,	13, 15, 17	815-0539,	25, 27
319-3867-03,	15	323-1374-10,	22	338-3876-01,	32	815-0651,	7
319-3867-04,	15	323-1703,	21	338-3876-02,	32	815-0652,	7
319-3868-02,	15	323-1806-05,	29	338-3884-01,	29	815-0656,	9
319-3870-02,	17	332-2420,	21, 22, 29, 32	338-3886,	28	815-0667,	9
319-3871-02,	17	332-2542,	9	364-0003,	25, 27	815-0686,	11
319-3874-02,	13	332-2605,	7	406-0519,	17	815-0792-02,	18, 19, 32
319-3875-02,	13	332-2744-05,	9	406-0613,	15	815-0845,	23, 25, 27
319-3877-03,	15	332-2832,	7	406-0649,	15	815-0932,	10
319-3877-04,	15	332-2836-01,	28	406-0809,	13	815-0933,	10
319-3878-02,	15	332-2836-02,	22, 30	406-0810,	13	815-0955-03,	18, 19, 21, 22, 28, 31
319-3880-02,	17	332-2837-09,	22, 28, 30	406-0933,	13	815-0958-04,	19
319-3881-02,	17	332-2839,	22, 28, 30	406-0934,	13	815-0959-03,	13, 15, 17, 28, 29, 32
319-3940-02,	18, 19	332-2841,	22, 28, 30	416-1049,	28	815-0960-04,	18, 19
319-3941-02,	18, 19	332-2878,	21, 31	508-0233,	15, 17	821-0040,	23, 25, 27
319-3942-02,	18, 19	332-2879-02,	31	508-1045,	13	850-0040,	7
319-3943,	21, 22, 29, 32	332-2879-04,	21	508-1114,	13	851-0027,	9
319-4011-02,	20	332-2903,	9	517-0135,	13	851-0028,	7
320-0606,	9	332-3038,	9	517-0137,	13	853-0016,	9
320-0608,	9	332-3039,	9	517-0266,	15, 17, 20	853-2005,	13
320-0609,	9	332-3606,	21, 29	526-0008,	7	862-0001,	9
321-0104,	25, 27	332-3647,	13, 15, 17	526-0018,	7	862-0015,	9
321-0127,	25, 27	337-2365,	9	526-0022,	17	862-0026-53,	23, 25, 27
321-0153,	23	337-2366,	9	526-0077,	9	870-0131,	7, 15, 17, 23
321-0175,	23	337-2403,	9	800-0003,	7, 13	870-0201,	11
321-0237,	25, 27	337-2404,	9	800-0005,	21, 22, 29, 32	870-0212,	13, 15, 17, 21, 22, 29, 32
321-0303-02,	25, 27	337-2410-01,	9	800-0007,	9	870-0221,	25, 27
321-0304-01,	25	337-2410-02,	9	800-0008,	7	870-0235,	10
321-0304-02,	25	337-2410-03,	9	800-0021,	7	870-0263,	25, 27
321-0304-03,	25, 27	337-2414,	9	800-0027,	7	870-0281,	7
321-0304-04,	25, 27	338-2149,	23	800-0028,	9	870-0298,	10
321-0304-05,	25, 27	338-2219,	20	800-0030,	9	870-0320,	7
321-0304-06,	27	338-2220,	20	800-2000,	13	870-2213-02,	28
323-1199,	20, 21, 23	338-2223,	25, 27	809-0035,	25, 27	870-2216,	13, 15, 17
323-1200,	20, 21, 23, 25, 27	338-2350,	22	812-0177,	17	895-0293-03,	15, 17
323-1252,	20	338-3792,	9	813-0112,	23	895-0293-04,	15, 17
323-1253,	20	338-3836,	21	813-0116,	23	895-0293-05,	15, 17
323-1291,	23	338-3838-02,	13, 15, 17	815-0029,	7	895-0293-06,	15, 17
323-1302,	22, 25, 27	338-3851-02,	13, 15, 17	815-0261,	9, 13		
323-1314,	20	338-3852-02,	13, 15, 17	815-0290,	9		
323-1315,	20	338-3852-03,	13, 15, 17	815-0446,	9		

**Cummins Power Generation**  
1400 73rd Avenue N.E.  
Minneapolis, MN 55432  
1-800-888-6266  
763-574-5000 International Use  
Fax: 763-574-8087

Cummins is a registered trademark of Cummins Inc.

