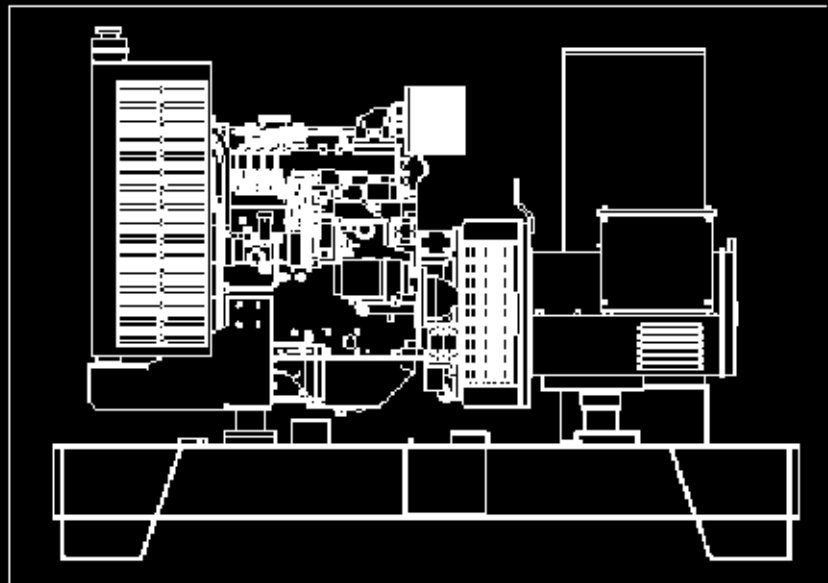


Parts Catalogue

Generating Set

C35D2R C35D5RS (PCC 1301)

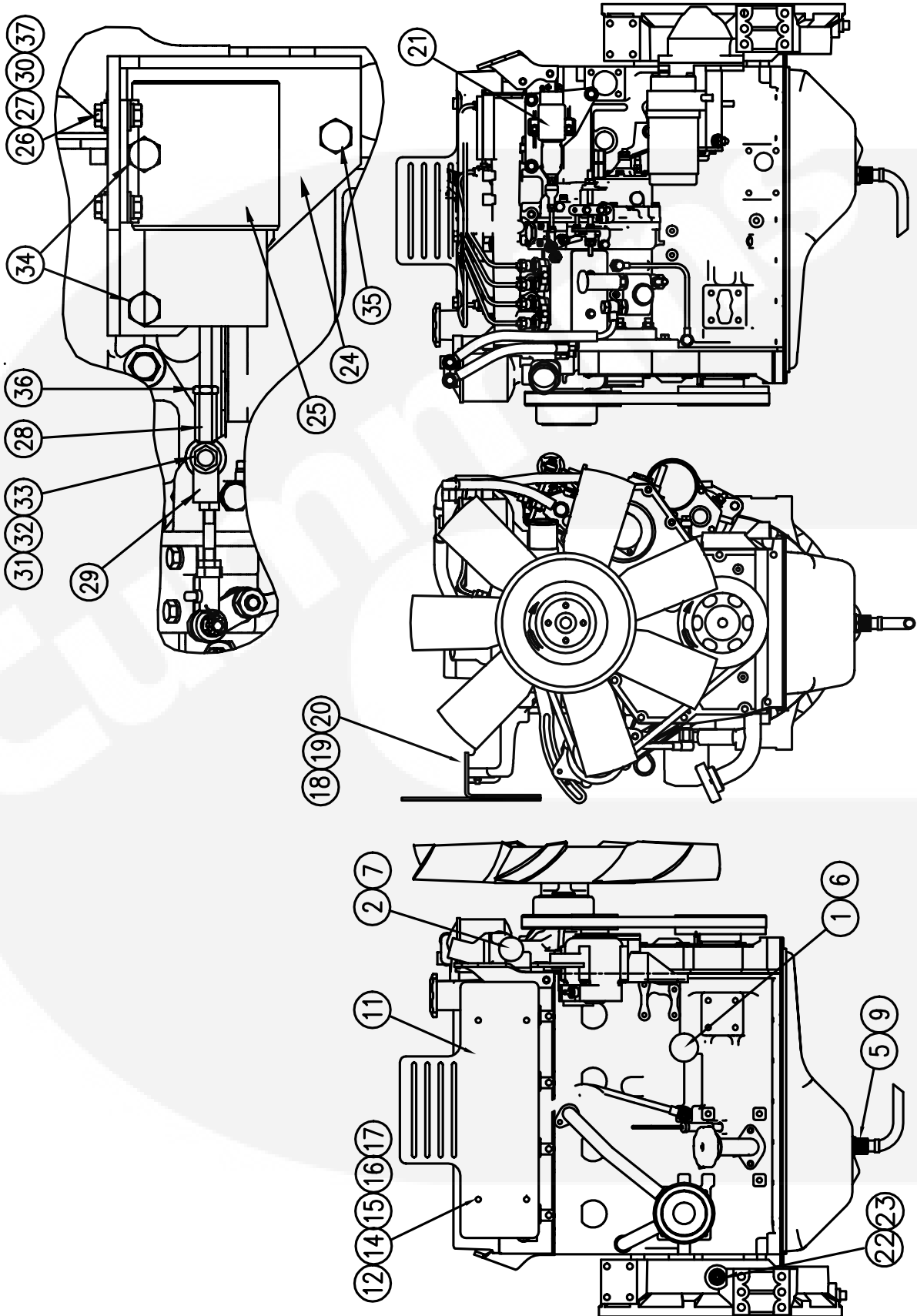


CONTENTS

0100-3921	Engine Accessories	5
0179-3771	Circuit Breaker Instl (4P MCB)	7
0179-3772	Circuit Breaker Instl (100A 4P MCCB)	9
0179-3773	Transformer Instl	11
0179-3782	Air Cleaner Instl	13
0179-3823	Genset Instl	15
0179-4272	Outlet Box Instl	17
0179-4302	Genset Options	19
0179-4333	Skid Instl with Tank (XRS)	21
0179-4365	Fuel Valve	23
0179-4489	Radiator Instl	25
0179-4502	Skid Instl with Tank (VRS)	27
0179-4542	Battery Isolator Assy	29
0300-6034	Control Assy (MCB's)	32
0338-4000	Harnesses	35
0405-9246	Enclosure	36

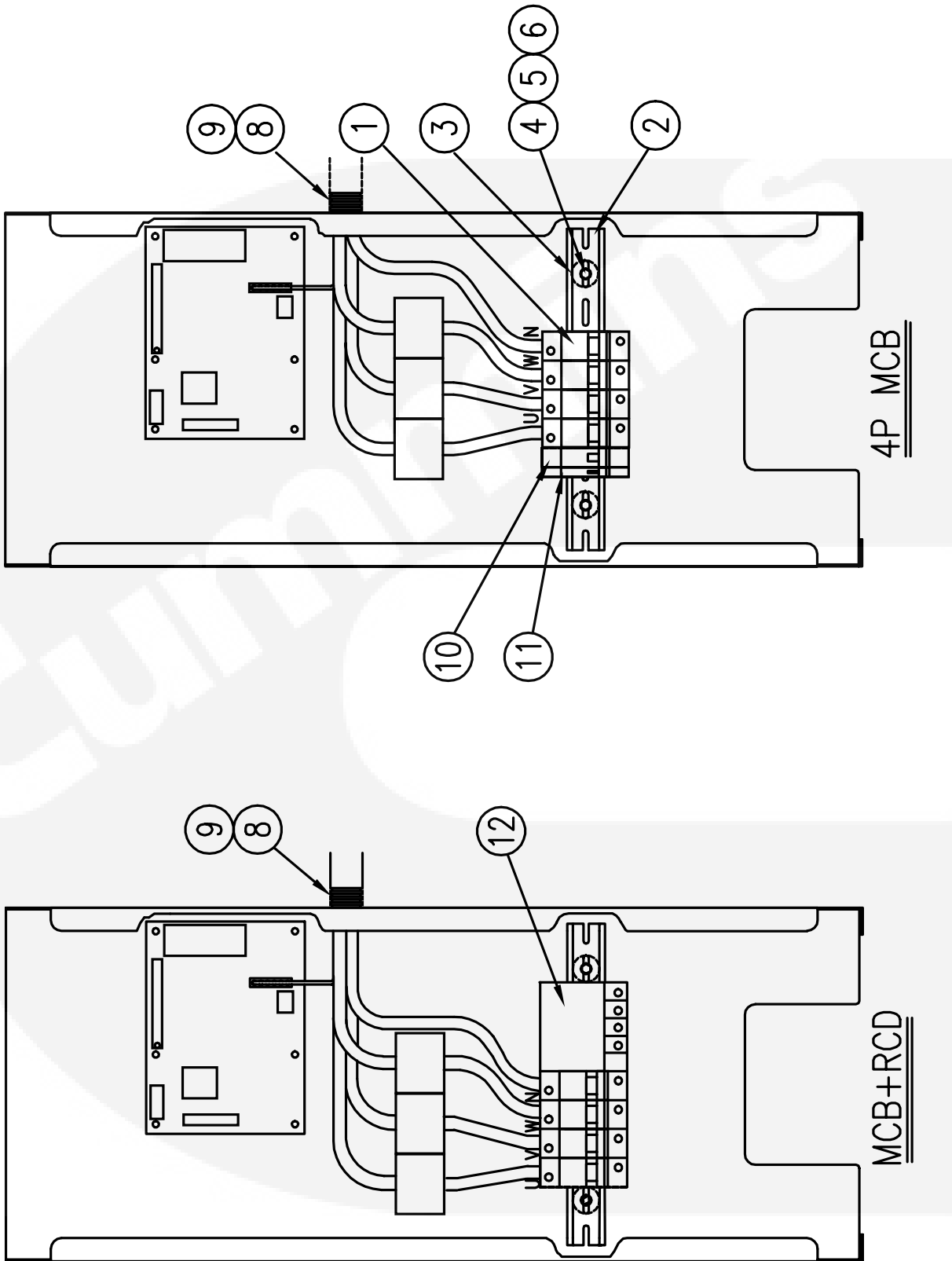


Engine Accessories



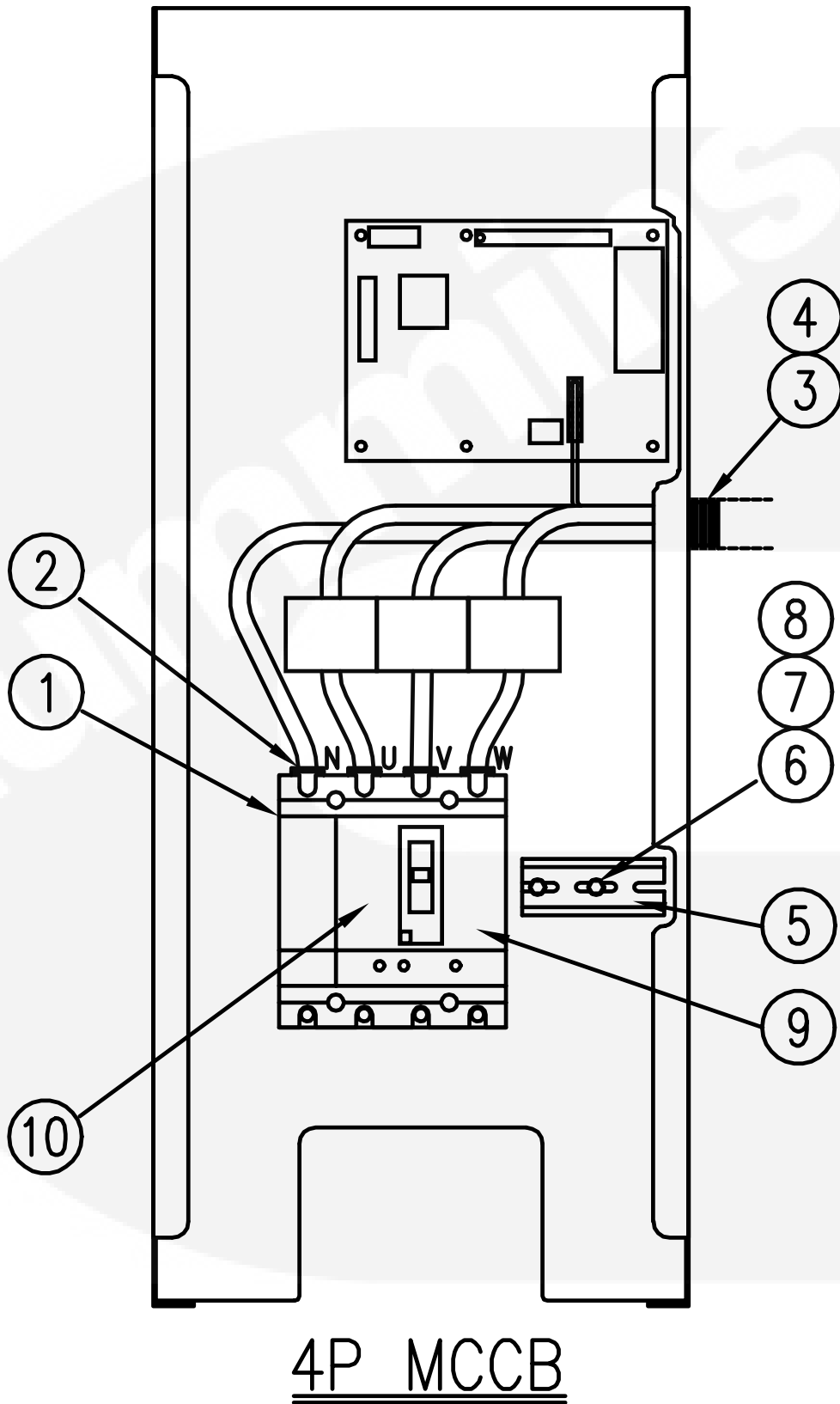
Item	Part Number	Description	Qty
NA	0100-3922	Engine-Diesel 4B3.3G1	1
1	0193-0430-01	Sender-Pressure	1
2	0193-0432	Sender-Temperature (E2, E4)	1
3	0337-3741-04	Earth Lead-16sq mm Braid	2
5	0504-0264-01	Valve-Hydraulic (Oil)	1
6	0505-2235	Adaptor-Pipe	1
7	0505-0019	Bushing-Reducer	1
8	0503-1620	Hose-Oil (3/8" ID X 5/8" OD)	0.6M
9	0503-0685	Clamp-Hose (6mm-16mm)	1
10	0524-0826	Sealant-Thread 577 (250ml)	1
11	0127-0457-02	Turbocharger (Guard)	1
12	0127-0458-02	Turbocharger (Guard Support)	2
13	Part of Engine	Governor-Mechanical	1
14	0526-0399-60	Washer-Flat (M8)	8
15	0800-3017-19	Screw-Hex Head (M8 X 20)	4
16	0850-0114-54	Washer-Lock (M8)	4
17	0862-0026-55	Nut-Hex (M8)	4
18	0526-0399-62	Washer-Flat (M10)	4
19	0800-3017-37	Screw-Hex Head (M10 X 25)	4
20	0850-0114-55	Washer-Lock (M10)	4
21	0502-1507	Adapter-Hose (Oil)	1
22	0502-1400-02	Adaptor-Bushing	1
23	0150-2651	Speed Sensor-Magnetic	1
24	0150-2780-02	Bracket-Governor Electronic	1
25	0150-2781	Actuator-Linear (Governor)	1
26	0526-0399-59	Washer-Flat (M6)	6
27	0850-0114-53	Washer-Lock (M6)	4
28	0150-2120	Rod End Dynz-47-1.3917844.	1
29	0150-2682	Governor - Clevis Dynk-218-1.	1
30	0800-3017-04	Screw-Hex Head (M6 X 20)	4
31	0526-0018	Washer-Flat (1/4")	1
32	0800-0310-06	Screw-Hex Head (1/4" X 1"UNC)	1
33	0862-0001	Nut-Hex Jam (1/4"UNC)	1
34	0800-3017-47	Screw-Hex Head (M10 X 75)	2
35	0800-3017-48	Screw-Hex Head (M10 X 80)	1
36	0868-0001	Nut-Hex (1/4"UNF)	1
37	0862-0026-54	Nut-Hex (M6)	2

Circuit Breaker Instl (4P MCB)



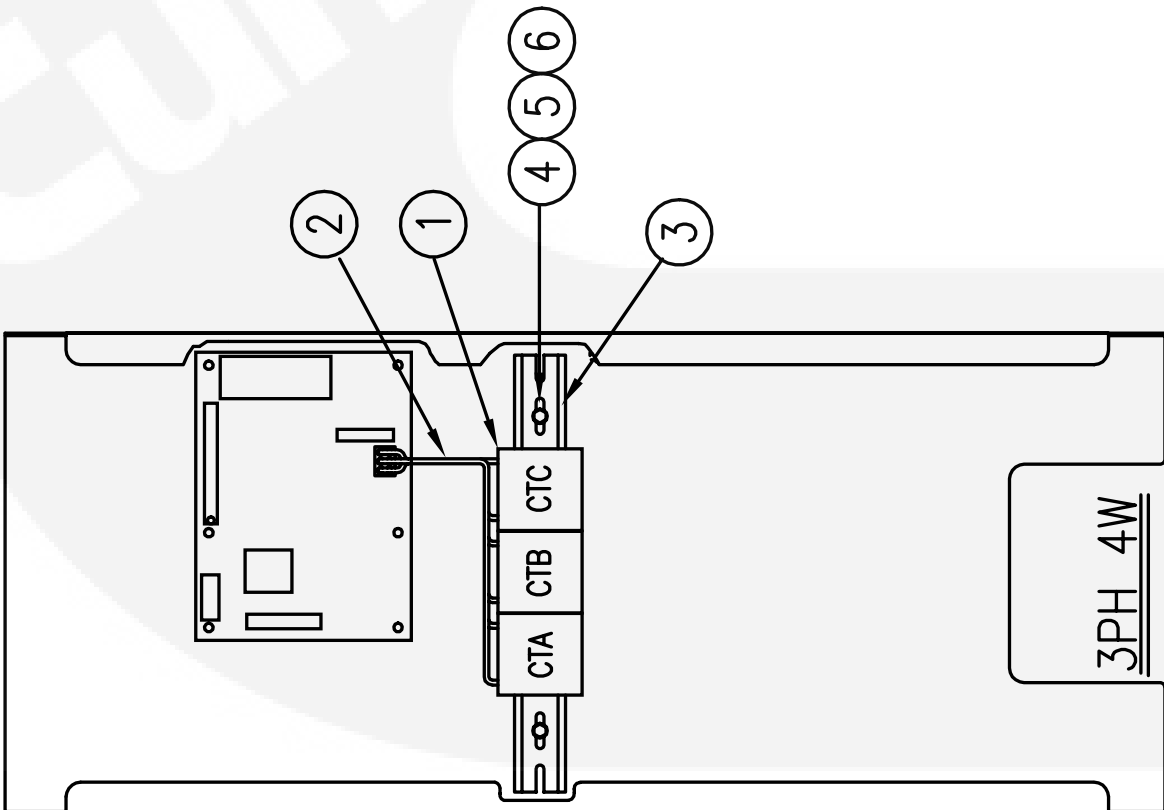
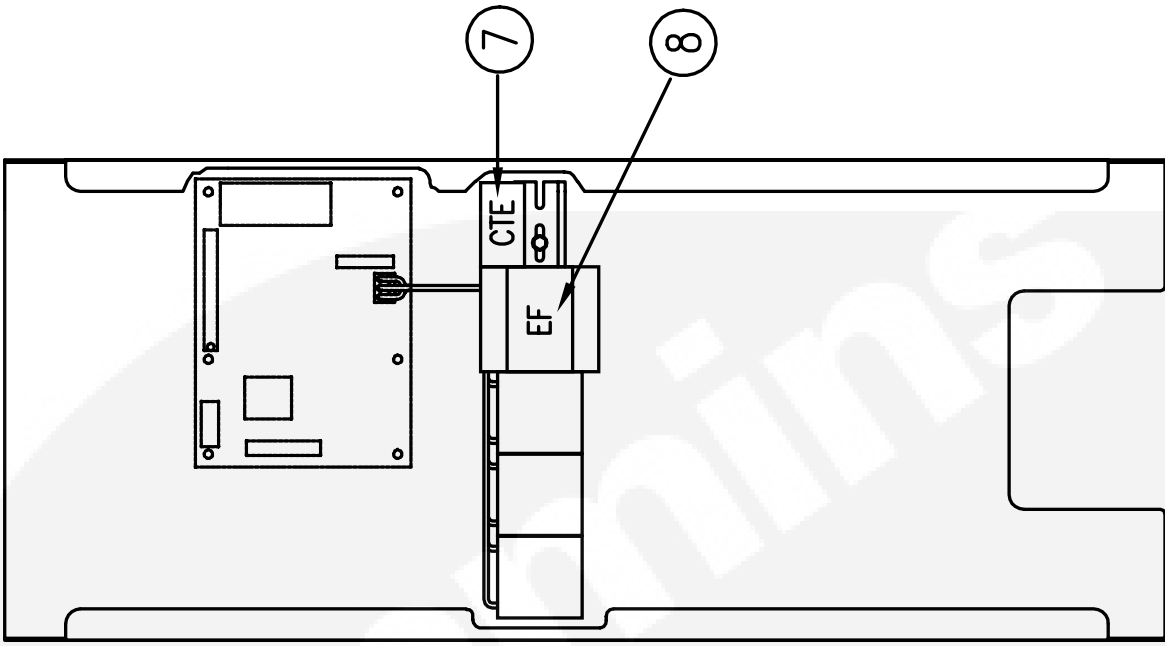
Item	Part Number	Description	Qty
1	0320-2224-08	Circuit Breaker 4P 63A MCB (380-440V 3PH 50Hz & 440V 3PH 60Hz)	1
1	0320-2224-09	Circuit Breaker 4P 80A MCB (380-416V 3PH 60Hz)	1
1	0320-2224-11	Circuit Breaker 4P 125A MCB (220V 3PH 50Hz & 220V 3PH 60Hz)	1
2	0332-4001-01	Rail-Terminal Block (300mm)	1
3	0872-0020-02	Stand Off	2
4	0526-0399-56	Washer-Flat (M5)	4
5	0800-0309-93	Screw-Hex Head (M5 X 35)	2
6	0850-0114-52	Washer-Lock (M5)	2
8	0338-4459	Harness-AC (10 sq mm)	1
8	0338-4484	Harness-AC (25 sq mm)	8
9	0331-0618-02	Locknut-Conduit	2
10	0320-2225-02	Accessories-Instl (Shunt Trip)	1
11	0320-2225-01	Accessories-Instl (SD Contact)	1
12	0320-2305	Accessories-Instl (RCB)	1

Circuit Breaker Instl (100A 4P MCCB)



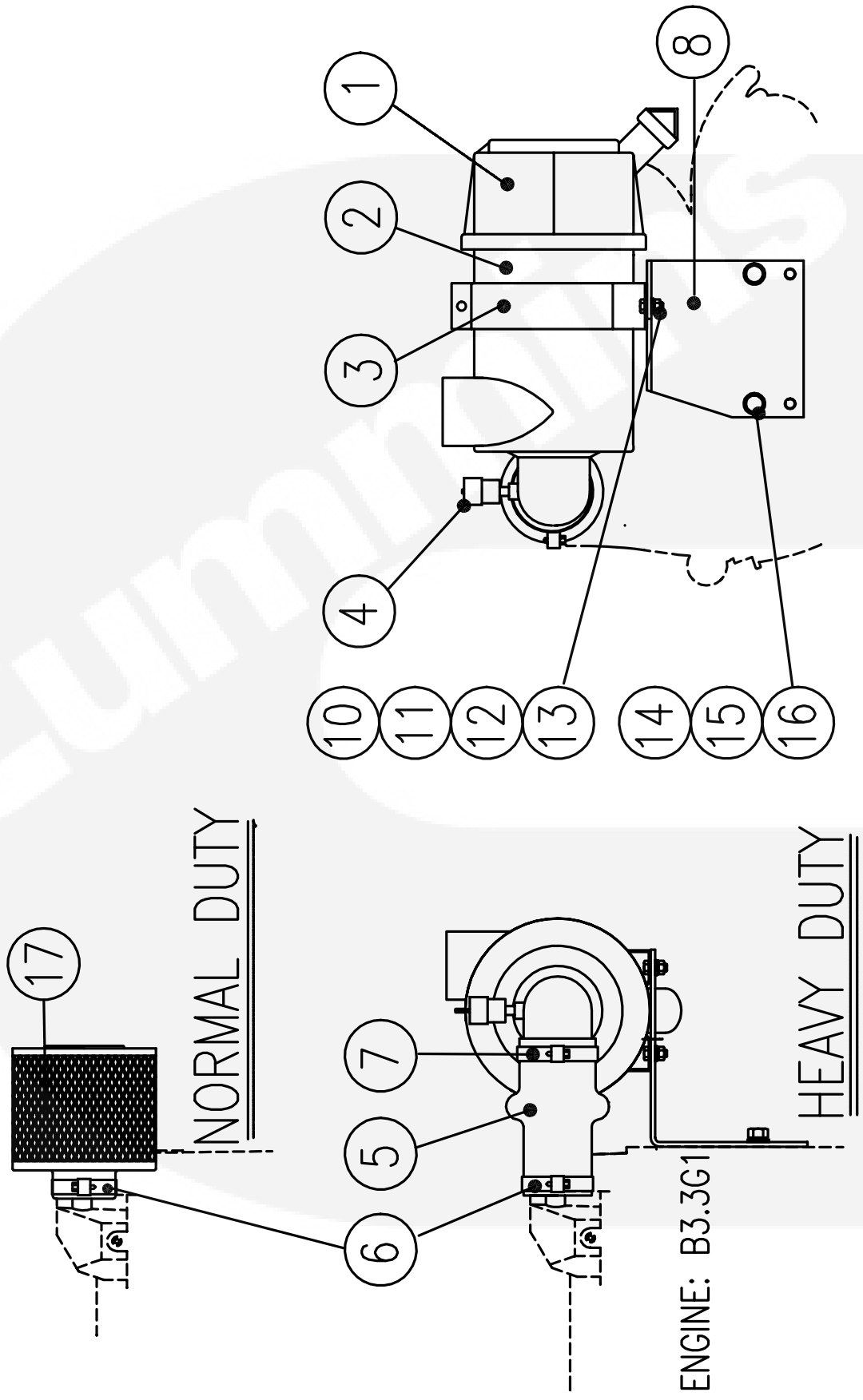
Item	Part Number	Description	Qty
1	0320-2157-02	Circuit Breaker 100A 4P	1
2	0320-2156-02	Bare Cable Connectors 4P 160A	1
3	0338-4459	Harness-AC	1
4	0331-0618-02	Locknut-Conduit	2
5	0332-4001-02	Rail-Terminal Block	1
6	0526-0399-56	Washer-Flat (M5)	2
7	0800-0309-93	Screw-Hex Head (M5 X 35)	2
8	0850-0114-52	Washer-Lock (M5)	2
9	0320-1981-51	Alarm/Aux Switch	1
10	0320-1981-52	Shunt Trip-12V DC	1

Transformer Instl



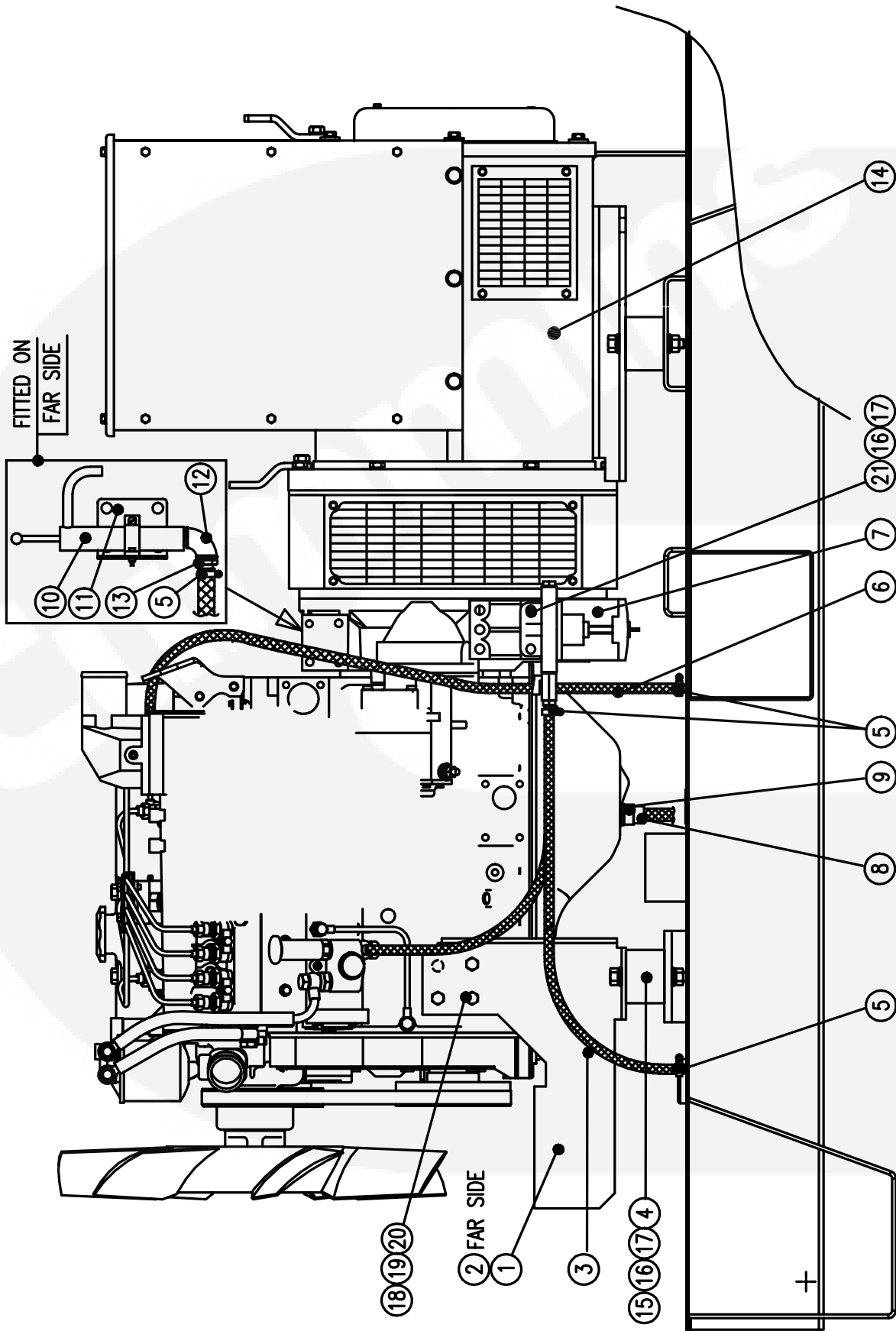
Item	Part Number	Description	Qty
1	0315-1647-04	Transformer-Current 120:5 (380-480V)	3
1	0315-1647-06	Transformer-Current 250:5 (190-240V)	3
2	0338-4458	Harness-AC	1
3	0332-4001-01	Rail-Terminal Block	1
4	0526-0399-56	Washer-Flat (M5)	4
5	0800-0309-88	Screw-Hex Head (M5 X 12)	2
6	0850-0114-52	Washer-Lock (M5)	2
7	0307-3017-01	Relay-Ground Fault-12v.	1
8	0315-1607-03	Transformer-Current	1

Air Cleaner Instl



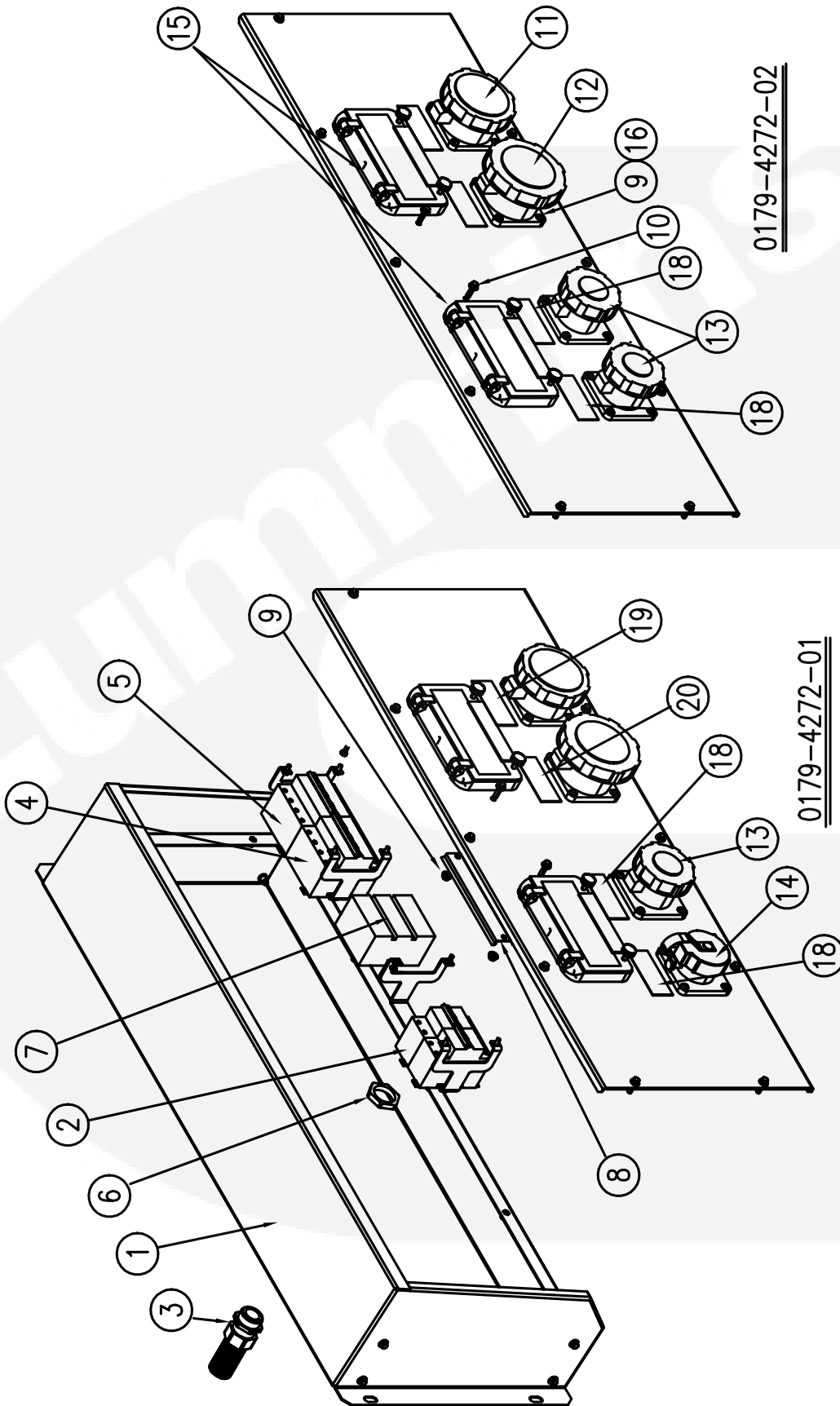
Item	Part Number	Description	Qty
1	0140-3765	Heavy Duty Air Cleaner (AH19094)	1
2	AF25555	Primary Element	1
2	AF25556	Secondary Element	1
3	0140-3766	Mounting Band	1
4	0140-3767	Indicator	1
5	0503-2546	Hump Hose	1
6	0140-3551	Clip	1
7	0503-2545	T' Bolt Clamp	1
8	0140-3719-02	Bracket, Air Cleaner	1
10	0800-3017-19	Screw-Hex Head (M8 X 20)	2
11	0526-0399-60	Washer-Flat (M8)	2
12	0850-0114-54	Washer-Lock (M8)	2
13	0862-0026-55	Nut-Hex (M8)	2
14	0800-3017-37	Screw-Hex Head (M10 X 25)	2
15	0526-0399-62	Washer-Flat (M10)	2
16	0850-0114-55	Washer-Lock (M10)	2
17	0140-3829	Normal Duty Air Cleaner	1

Genset Instl



Item	Part Number	Description	Qty
1	0403-5463-03	Mount-Engine (LH)	1
2	0403-5464-03	Mount-Engine (RH)	1
3	0501-0875	Line-Fuel (Feed)	2
4	0402-0852	Isolator-Vibration (280/B5)	4
5	0503-2467	Clamp-Hose (16-27mm ID)	6
6	0501-0874	Line-Fuel (Return)	1
7	0149-2744	Separator-Fuel/Water	1
8	0502-1507	Adapter-Hose (Oil)	1
9	0504-0264-01	Valve-Hydraulic (Oil)	1
10	0120-1346	Pump-Oil	1
11	0120-1358-02	Bracket-Oil Pump	1
12	0505-2304	Elbow-Pipe (1/2" X 3/8" BSP F/F)	1
13	0502-1490	Connector-Hose (1/2" NPT X 16mm Tail)	1
14	0200-3123-01	Alternator-BC184H	1
15	0800-3017-52	Screw-Hex Head (M12 X 20)	4
16	0526-0399-64	Washer-Flat (M12)	4
17	0850-0114-56	Washer-Lock (M12)	4
18	0800-3017-38	Screw-Hex Head (M10 X 30)	8
19	0526-0399-62	Washer-Flat (M10)	8
20	0853-0040-56	Washer-Lock (M10)	8
21	0800-3017-54	Screw-Hex Head (M12 X 30)	2

Outlet Box Instl



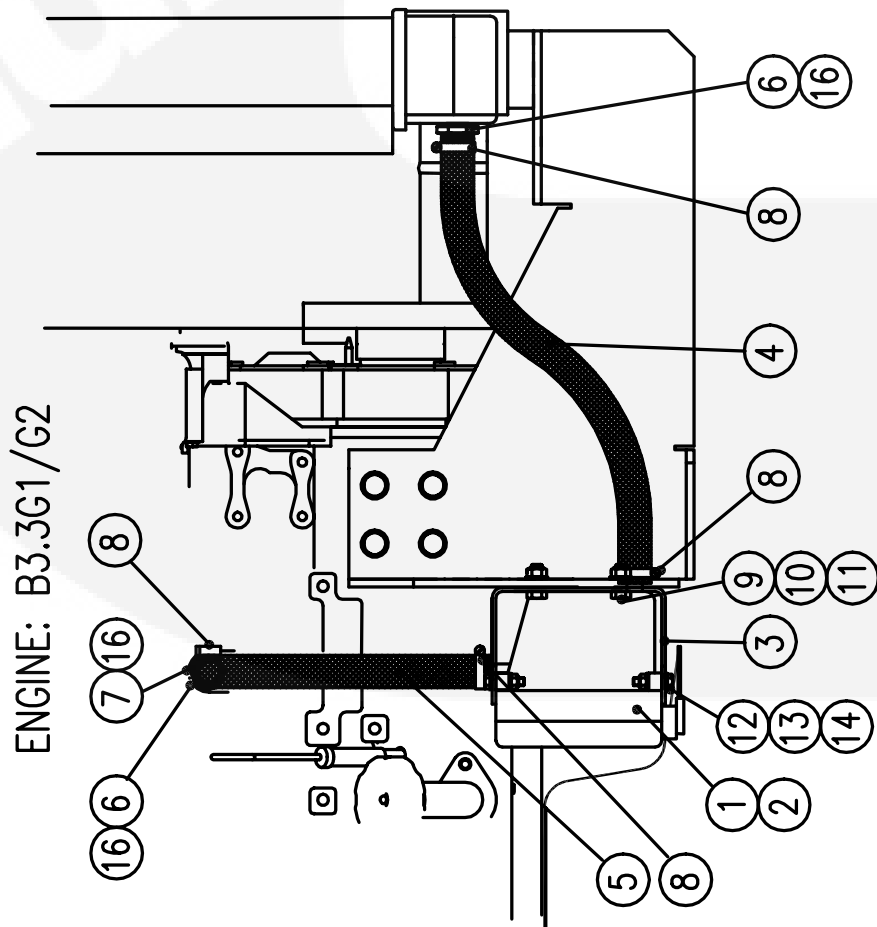
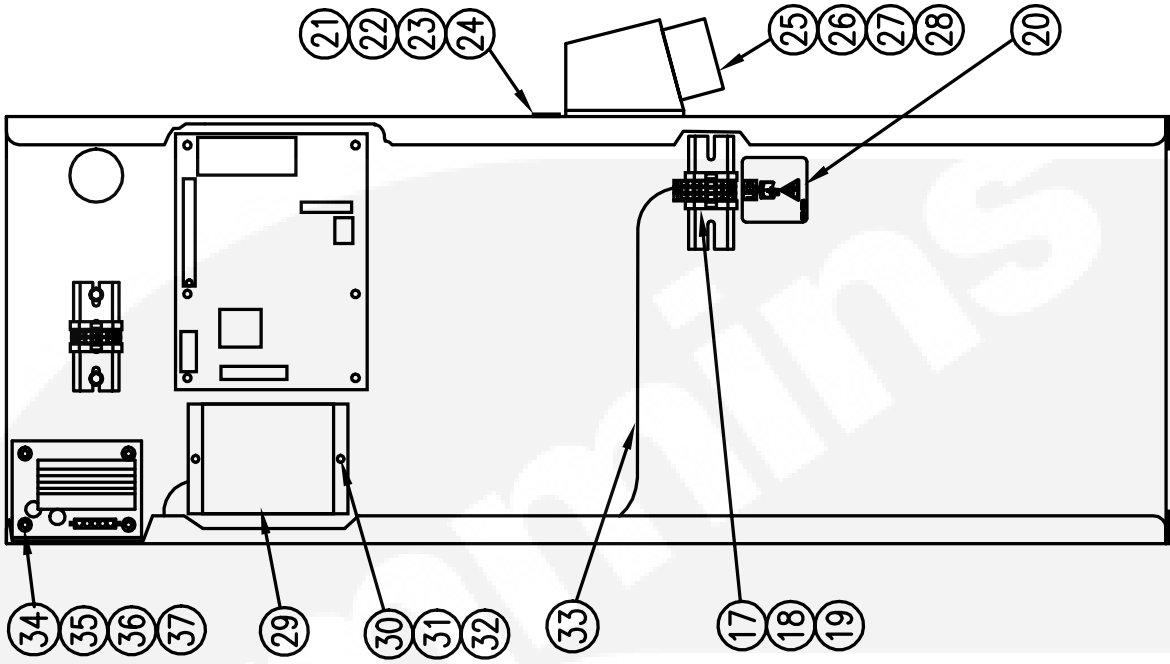
0179-4272-02

0179-4272-01



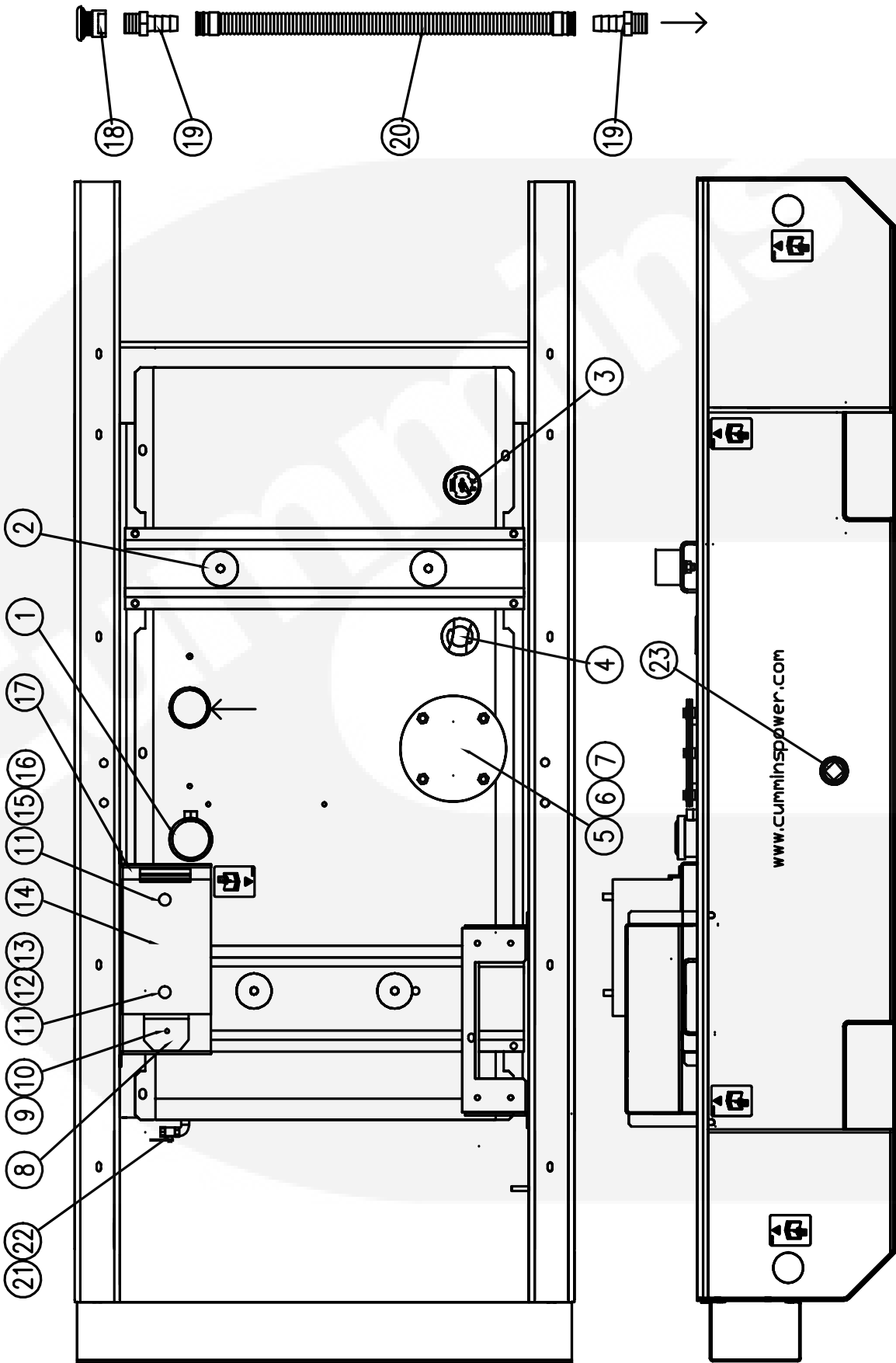
Item	Part Number	Description	Qty
1	0319-5781	Output Box Assy.	1
2	0320-2306-02	Circuit Breaker (2P-16A)	2
3	0338-4640	Harness-AC (Sockets)	1
4	0320-2307-04	Circuit Breaker (4P-32A)	1
5	0320-2307-01	Circuit Breaker (4P-16A)	1
6	NR	Gland Nut (Part of Item 3)	1
7	0332-4121	Terminal Block	1
8	0332-4120	Rail-Terminal Block	1
9	0870-2065	Nut-Hex Flange (M5)	18
10	0821-2022	Screw Lock Flange (M5 X 16)	2
11	0323-2230	Connector-Recepticle (16A 400V)	1
12	0323-2231	Connector-Recepticle (32A 400V)	1
13	0323-2229	Connector-Recepticle (16A 230V)	2
14	0323-2233	Connector-Recepticle (Schuko)	1
15	0320-2303	CB Window & Din Rail	2
16	0821-2023	Screw Lock Flange (M5 X 20)	16
18	0098-8399	Label-Information (230V 1PH+E 16A)	2
19	0098-8400	Label-Information (400V 3PH+E 16A)	1
20	0098-8403	Label-Information (400V 3PH+E 32A)	1

Genset Options



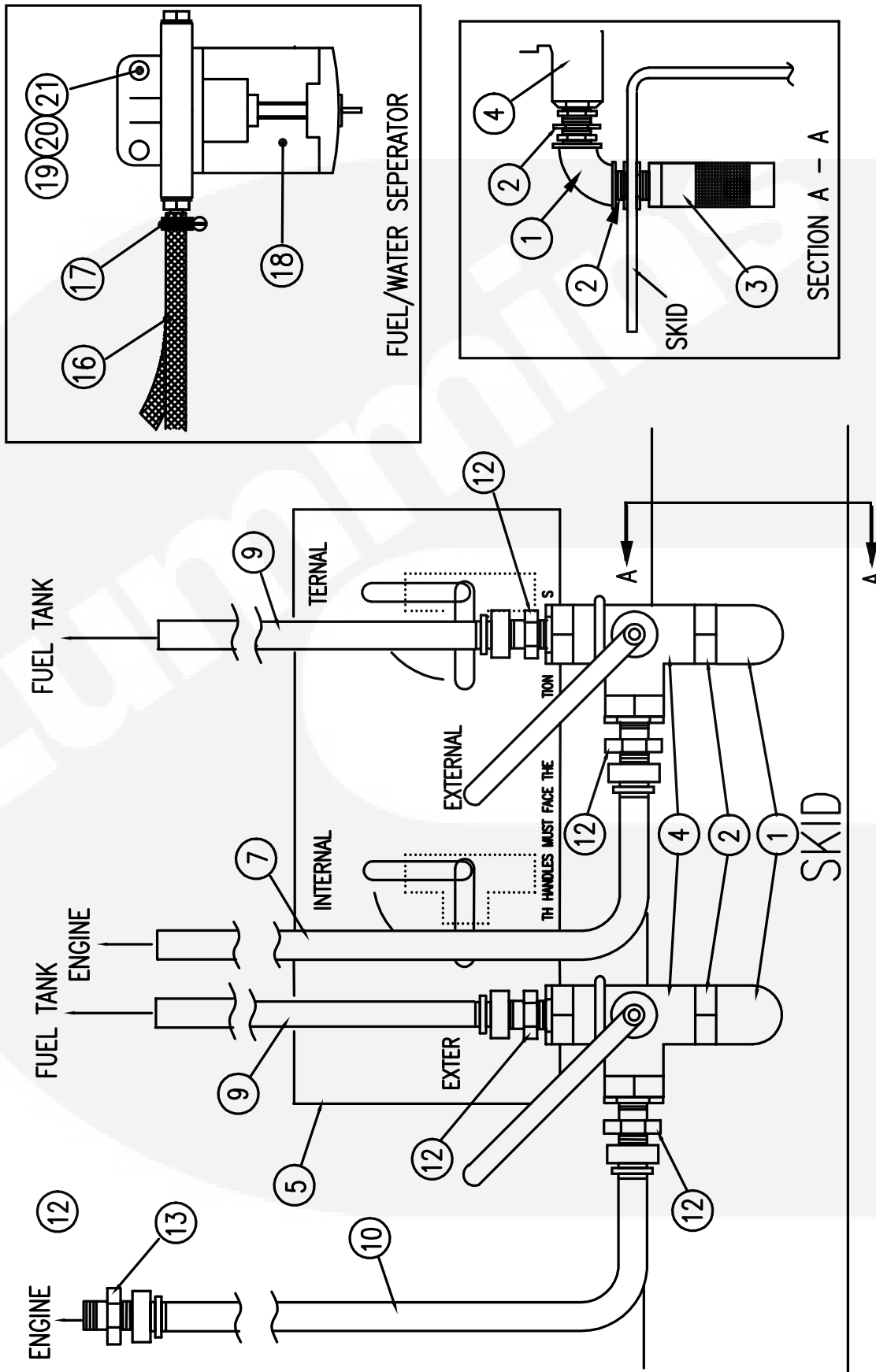
Item	Part Number	Description	Qty
1	0333-0699	Heater, Engine Coolant, 120V.	1
2	0333-0690	Heater, Engine Coolant, 240V.	1
3	0133-0232-02	Bracket-Preheater (B3.3)	1
4	0503-2474-07	Hose-Steam	1
5	0503-2474-06	Hose-Steam	1
6	0502-1508	Connector, Hose, 1/4" BSPT X 16mm	2
7	0505-2236	Adapter-Pipe	1
8	0503-2385	Clamp - Hose (1" - 1.75")	4
9	0821-6003-02	Screw-Sems Tap/Scr (M8 X 20)	2
10	0526-0399-60	Washer-Flat (M8)	2
11	0870-2248-05	Nut-Nyloc (M8)	2
12	0800-3017-06	Screw-Hex Head (M6 X 30)	4
13	0526-0399-58	Washer-Flat (M6)	8
14	0870-0506	Nut-Nyloc (M6)	4
16	0524-0826	Sealant-Thread 577 (250ml)	1
17	0332-3923-02	Terminal Block (Wago)	3
18	0332-3926	Terminal Block (End Stop)	2
19	0332-3927-02	Terminal Block (End Plate)	1
20	0098-8326	Label-Warning	1
21	0098-8417	Label-Information	1
22	0526-0399-52	Washer-Flat (M3)	2
23	0822-3043	Screw-Pan Head Sltd (M3 X 8)	2
24	0850-2003	Washer-Lock (M3)	2
25	0323-2293	Connector-Plug	1
26	0526-0399-54	Washer-Flat (M4)	4
27	0822-3073	Screw-Pan Head Sltd (M4 X 10)	4
28	0850-0114-51	Washer-Lock (M4)	4
29	0416-1300	Charger-Battery	1
30	0526-0399-55	Washer-Flat (M4)	2
31	0800-0309-76	Screw-Hex Head (M4 X 16)	2
32	0850-0114-51	Washer-Lock (M4)	2
33	0338-4530	Harness-Battery Charger	1
34	0327-1507	PCB Assy (Dynamo Gov)	1
35	0526-0399-56	Washer-Flat (M5)	4
36	0800-0309-91	Screw-Hex Head (M5 X 25)	4
37	0850-0114-52	Washer-Lock (M5)	4

Skid Instl with Tank (XRS)



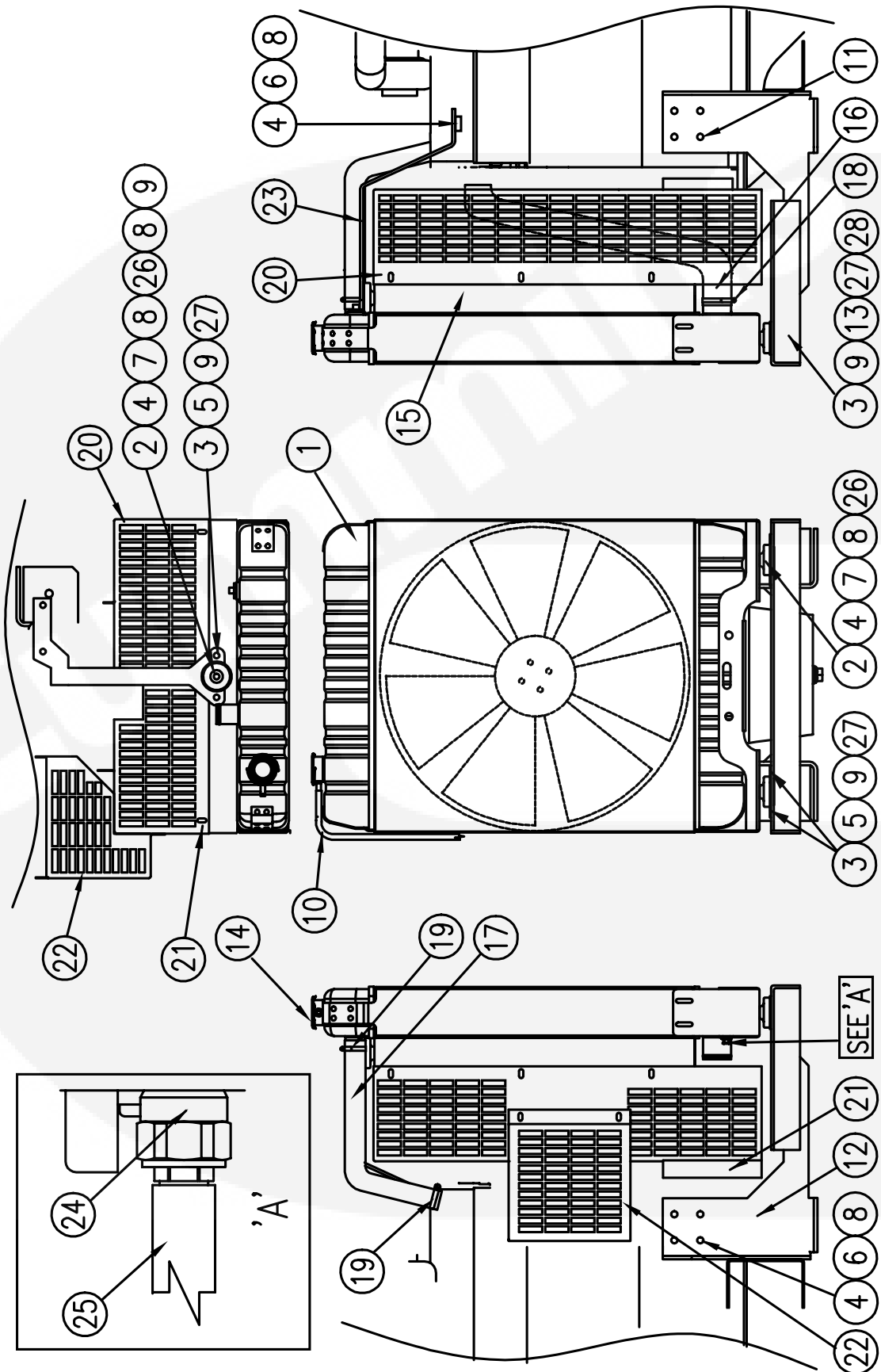
Item	Part Number	Description	Qty
1	0309-0707-05	Switch-Level (Fuel 220mm)	1
2	0402-0852	Isolator-Vibration (280/B5)	4
3	0193-0584	Gauge-Level	1
4	0159-1681	Cap-Filler	1
5	0159-1668-02	Cover	1
6	0159-1667	Gasket	1
7	0821-2077	Screw-Lock Flange (M12 X 30)	4
8	0416-1241-02	Holddown-Battery	1
9	0526-0399-58	Washer-Flat (M6)	1
10	0865-0030	Nut-Wing (M6)	1
11	0416-1141	Boot-Battery	2
12	0416-1204	Clamp-Battery Post (-Ve)	1
13	0416-1216	Cable-Battery (-Ve)	1
14	0416-1242	Battery	1
15	0416-1203	Clamp-Battery Post (+Ve)	1
16	0416-1233	Cable-Battery (+Ve)	1
17	0416-1284	Battery Tray Assy	1
18	0159-1633	Vent-Fuel Tank	1
19	0502-1546	Connector-Hose (2")	2
20	0503-2655	Hose-Vent (2")	1
21	0505-2276	Elbow-Pipe	1
22	0504-0239	Valve-Ball (3/4" BSP)	1
23	0505-2090	Plug-Pipe (1.1/2" BSP)	2

Fuel Valve



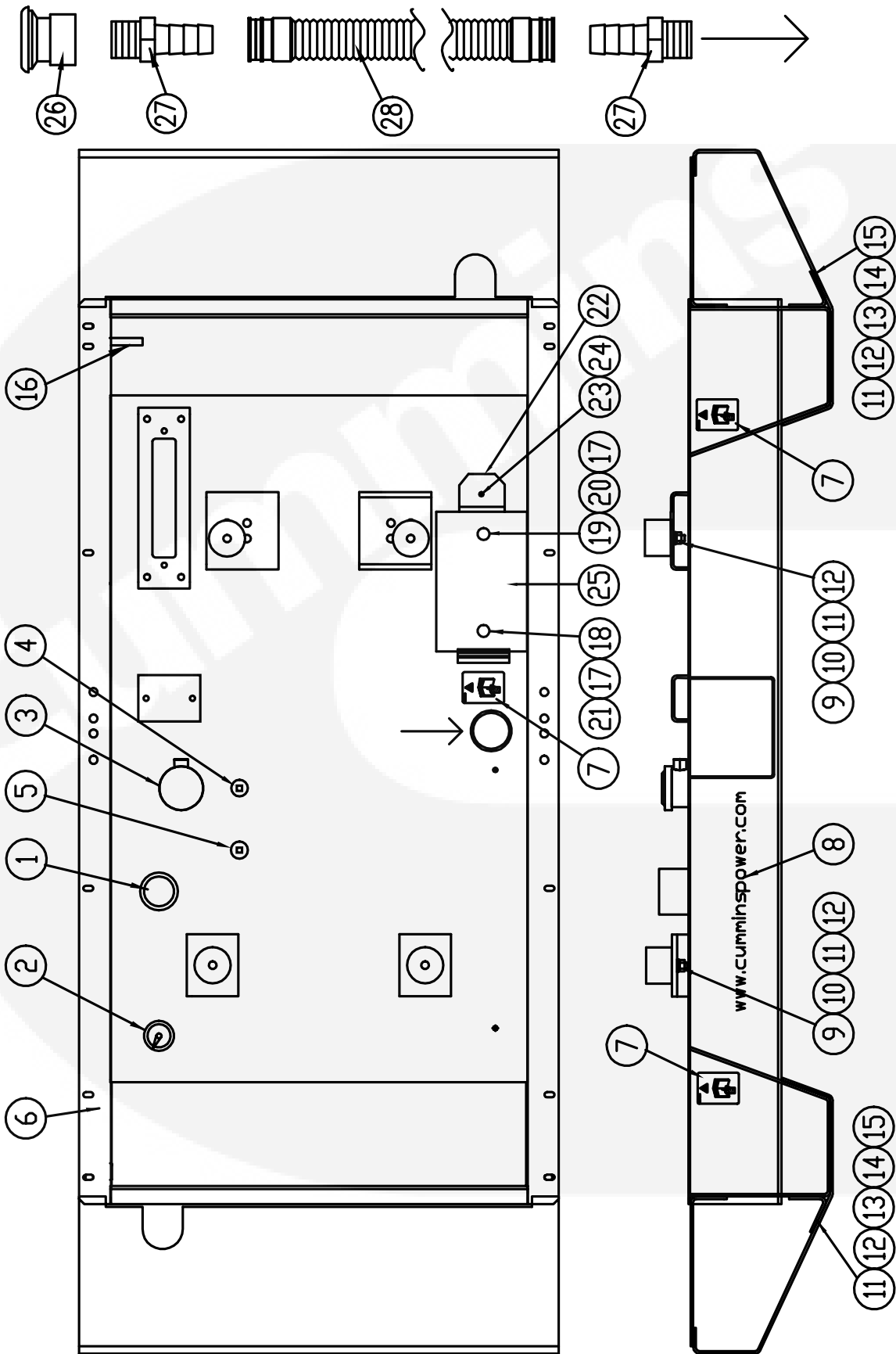
Item	Part Number	Description	Qty
1	0505-2141	Elbow-Pipe (1/2" BSP) Short Rad	2
2	0505-2142	Adapter-Pipe (1/2" BSP) Bulkhead	4
3	0502-1544	Coupling-Tube (Pull Break)	2
4	0504-0280-03	Valve-Ball (L Port) 1/2" BSP	2
5	0098-8395	Warning Label	1
7	0501-0841	Line-Fuel (1/4"BSP to Pipe Compression Fitting)	1
9	0501-0922	Line-Fuel (3/8"BSP to 3/8" X 700mm Lg)	2
10	0501-0842	Line-Fuel (3/8"BSP X 520mm Lg)	1
12	0502-1487	Union-Hose (3/8"BSP M/M)	4
13	0502-1484	Adapter-Hose (3/8" X 1/4"BSP M/M)	1
16	0501-0875	Line-Fuel	2
17	0503-2467	Clamp-Hose	2
18	0149-2744	Separator-Fuel/Water	1
19	0526-0399-64	Washer-Flat (M12)	2
20	0850-0144-56	Washer-Lock (M12)	2
21	0800-3017-54	Screw-Hex Head (M12 X 30)	2

Radiator Instl



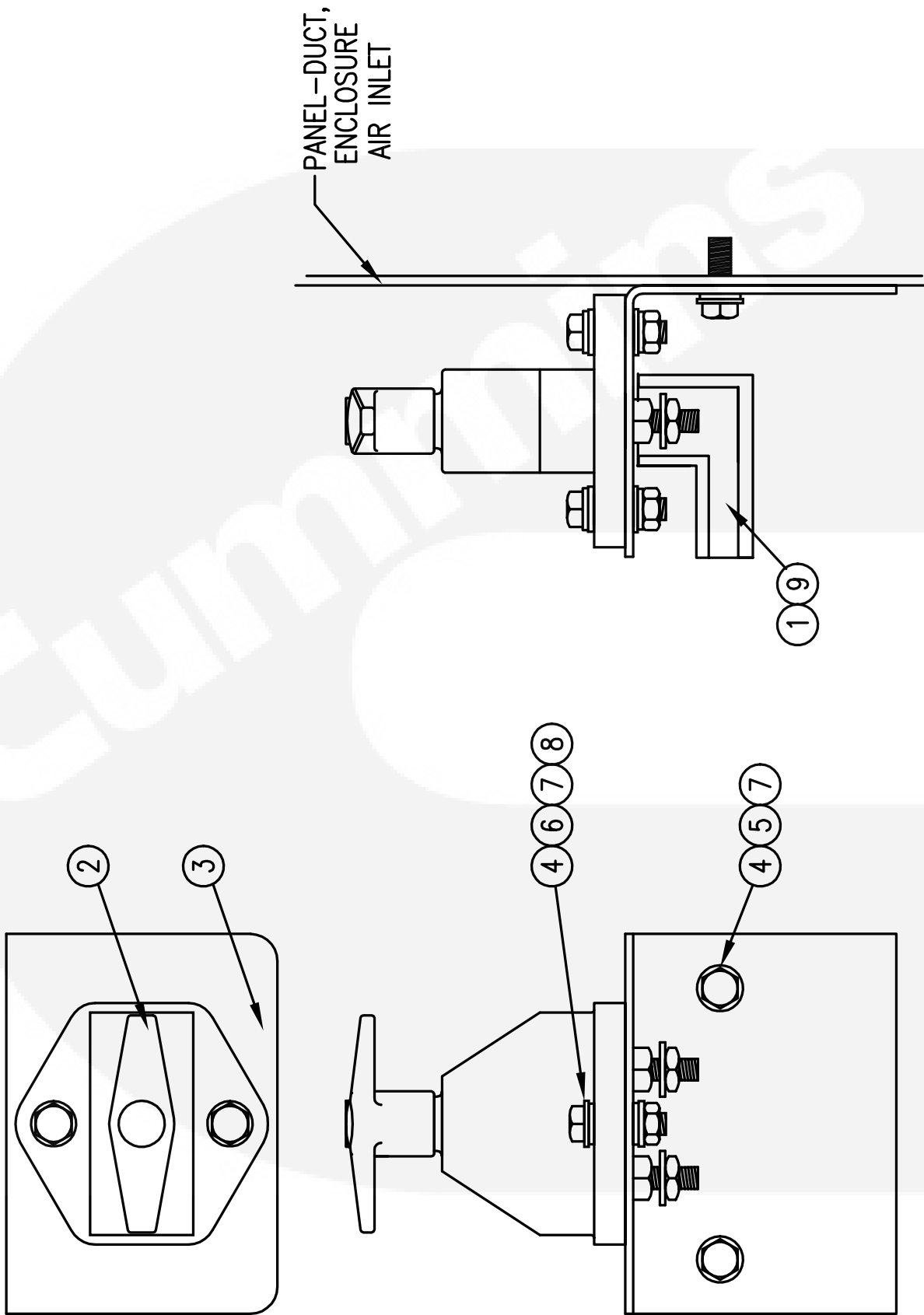
Item	Part Number	Description	Qty
1	0130-6598	Radiator-SRF (B3.3)	1
2	0402-0878	Isolator-Vibration	3
3	0526-0399-60	Washer-Flat (M8)	12
4	0526-0399-62	Washer-Flat (M10)	5
5	0800-3017-19	Screw-Hex Head (M8 X 20)	10
6	0800-3017-38	Screw-Hex Head (M10 X 30)	10
7	0800-3017-40	Screw-Hex Head (M10 X 40)	3
8	0853-0040-56	Washer-Lock (M10)	3
9	0862-0026-55	Nut-Hex (M8)	6
10	0130-6623	Overfill Tube	A/R
11	0403-6618	Mount-Engine (L.H.)	1
12	0403-6619	Mount-Engine (R.H.)	1
13	0130-6599	Support Plate 1	1
14	0130-6600	Cap-Pressure (95KPA)	1
15	0130-6601	Shroud-Fan	1
16	0503-2654	Hose-Bottom	1
17	0503-2653	Hose-Top	1
18	0503-1872-02	Hose Clip	3
19	0503-1872-01	Hose Clip	1
20	0130-6602	Guard-Pulley (L.H.)	1
21	0130-6603	Guard-Pulley (R.H.)	1
22	0130-6604	Guard-Pulley (Charge Alternator)	1
23	0130-6605	Bracket-Radiator Support	1
24	0504-0284	Drain Valve (1/2"BSP)	1
25	0503-2633-01	Hose-Radiator Drain	1
26	0526-2306	Washer-Flat (M12)	3
27	0850-0114-54	Washer-Lock (M8)	4
28	0800-3017-20	Screw-Hex Head (M8 X 25)	4

Skid Instl with Tank (VRS)



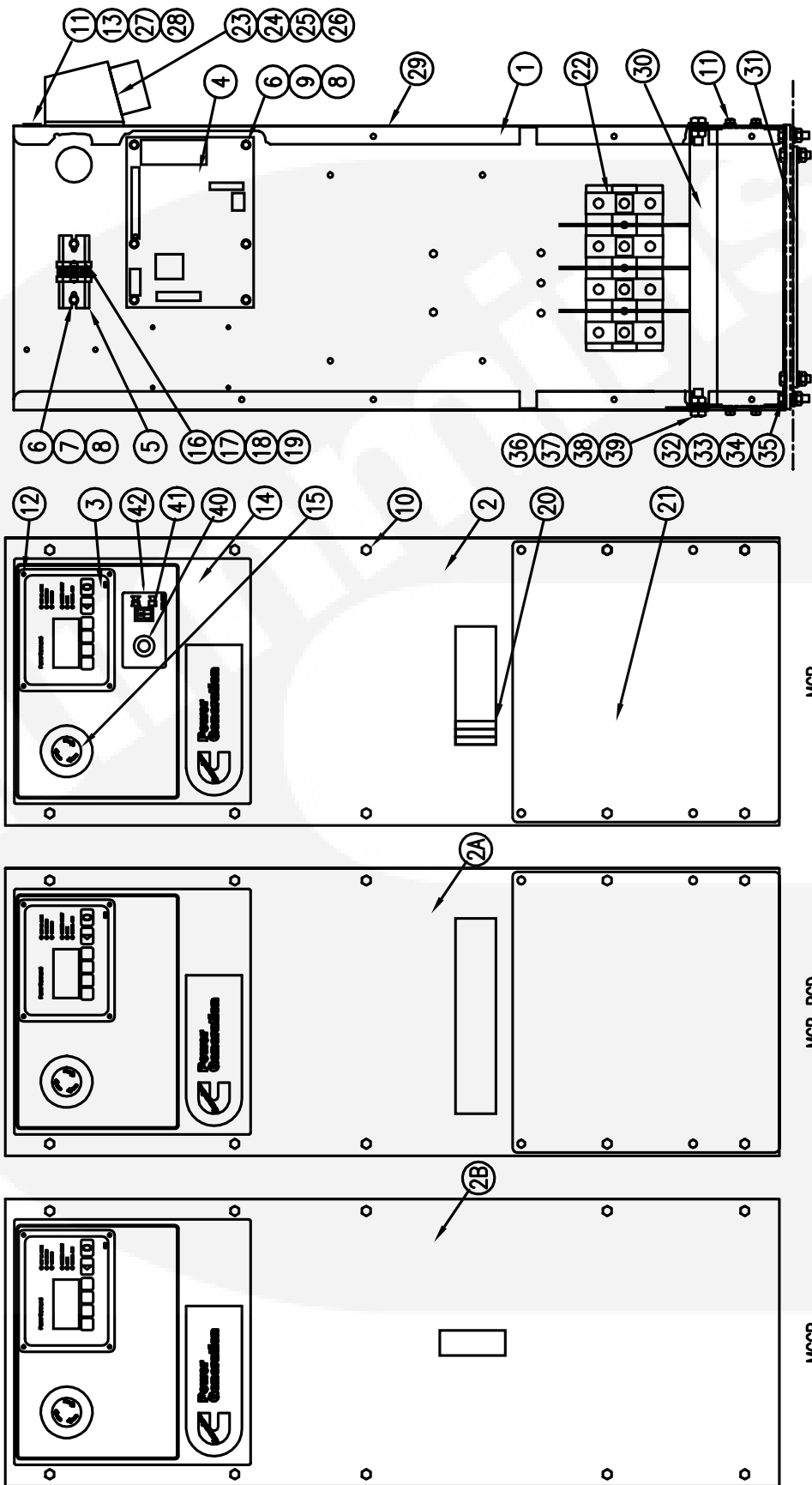
Item	Part Number	Description	Qty
1	0159-1681	Filler Cap	1
2	0193-0567	Level Gauge	1
3	0309-0707-04	Fuel Level Switch	1
4	0505-1598	Plug-Pipe (3/4"BSP)	1
5	0505-2090	Plug-Pipe (1.1/2"BSP)	1
6	0403-6111-02	Skid Assy	1
7	0098-8098	Label-Information	5
8	0098-8280	Label-Information	2
9	0402-0852	Isolator-Vibration (280/B5)	4
10	0826-0026-57	Nut-Hex (M12)	4
11	0526-0399-64	Washer-Flat (M12)	4
12	0850-0114-56	Washer-Lock (M12)	4
13	0403-5906	Skid End Cap	2
14	0870-2065-05	Nut-Hex Flange (M12)	12
15	0821-2076	Screw-Lock Flange (M12 X 25)	12
16	0508-1211	Bushing-2"BSP	1
17	0416-1141	Boot-Battery	2
18	0416-1203	Clamp-Battery Post +Ve	1
19	0416-1204	Clamp-Battery Post -Ve	1
20	0416-1216	Cable-Battery -Ve	1
21	0416-1233	Cable-Battery +Ve	1
22	0416-1241-02	Holddown-Battery	1
23	0526-0399-58	Washer-Flat (M12)	1
24	0865-0030	Nut-Wing (M6)	1
25	0416-1242	Battery	1
26	0159-1633	Vent-Fuel Tank	1
27	0502-1546	Connector-Hose (2")	2
28	0503-2655	Hose-Vent (2")	1

Battery Isolator Assy



Item	Part Number	Description	Qty
1	0323-2083	Boot-Connector	2
2	0416-1314	Switch	1
3	0416-1317-02	Bracket-Switch	1
4	0526-0399-60	Washer-Flat (M8)	6
5	0800-3017-19	Screw-Hex Head (M8 X 20)	2
6	0800-3017-21	Screw-Hex Head (M8 X 30)	2
7	0850-0114-54	Washer-Lock (M8)	4
8	0862-0026-55	Nut-Hex (M8)	2

Control Assy (MCB's)



Item	Part Number	Description	Qty
1	0319-5909-02	Box-Control	1
2	0319-5910-02	Panel Display(MCB)	1
2A	0319-5911-02	Panel-Display (MCB-RCD)	1
2B	0319-5912-02	Panel-Display (MCCB)	1
3	0300-5875	Control Assy	1
4	0327-1513-01	PCB Assy	1
5	0332-4001-02	Rail-Terminal Block	1
6	0526-0399-56	Washer-Flat (M5)	8
7	0800-0309-88	Screw-Hex Head (M5 X 12)	2
8	0800-0309-91	Screw-Hex Head (M5 X 25)	6
8	0850-0114-52	Washer-Lock (M5)	8
10	0821-6002-02	Screw-Sems Tap/Scr (M6 X 12)	14
11	0526-0399-52	Washer-Flat (M3)	2
12	0822-3047	Screw-Pan Head (M3 X 20)	4
13	0850-2003	Washer-Lock (M3)	2
14	0098-8283	Label-Logo	1
15	0308-1178	Switch-Pushbutton E/Stop	1
16	0332-3923-01	Terminal Block (Wago)	2
17	0332-3925-01	Jumper-Terminal (Wago, 2-Way)	1
18	0332-3926	Terminal Block (End Stop)	2
19	0332-3927-01	Terminal Block (End Plate)	1
20	0320-2259	Circuit Breaker Blanking Strip	AR
21	0319-5913-02	Cover Terminal	1
22	0332-4125	Terminal Block (Power 250A)	1
23	0323-2294	Connector-Recepticle	1
24	0526-0399-54	Washer-Flat (M4)	4
25	0822-3073	Screw-Pan Head Sltd (M4 X 10)	4
26	0850-0114-51	Washer-Lock (M4)	4
27	0098-8416	Label-Information	1
28	0822-3043	Screw-Pan Head Sltd (M3 X 8)	2
29	0508-1201	Grommet	1
30	0319-5362-02	Cover-Control	1
31	0319-5364	Cover-Control-Cable Entrance	1
32	0526-0399-60	Washer-Flat (M8)	12
33	0800-3017-21	Screw-Hex Head (M8 X 30)	6
34	0850-0114-54	Washer-Lock (M8)	6
35	0862-0026-55	Nut-Hex (M8)	6
36	0526-0399-62	Washer-Flat (M10)	4

Item	Part Number	Description	Qty
37	0800-3017-37	Screw-Hex Head (M10 X 25)	2
38	0853-0040-56	Washer-Lock (M10)	4
39	0862-0026-56	Nut-Hex (M10)	2
40	0300-5937	Module-Alarm	1
41	0308-1191	Switch-Rocker	1
42	0098-8322	Label-Information	1

Cummins





Intentionally left blank



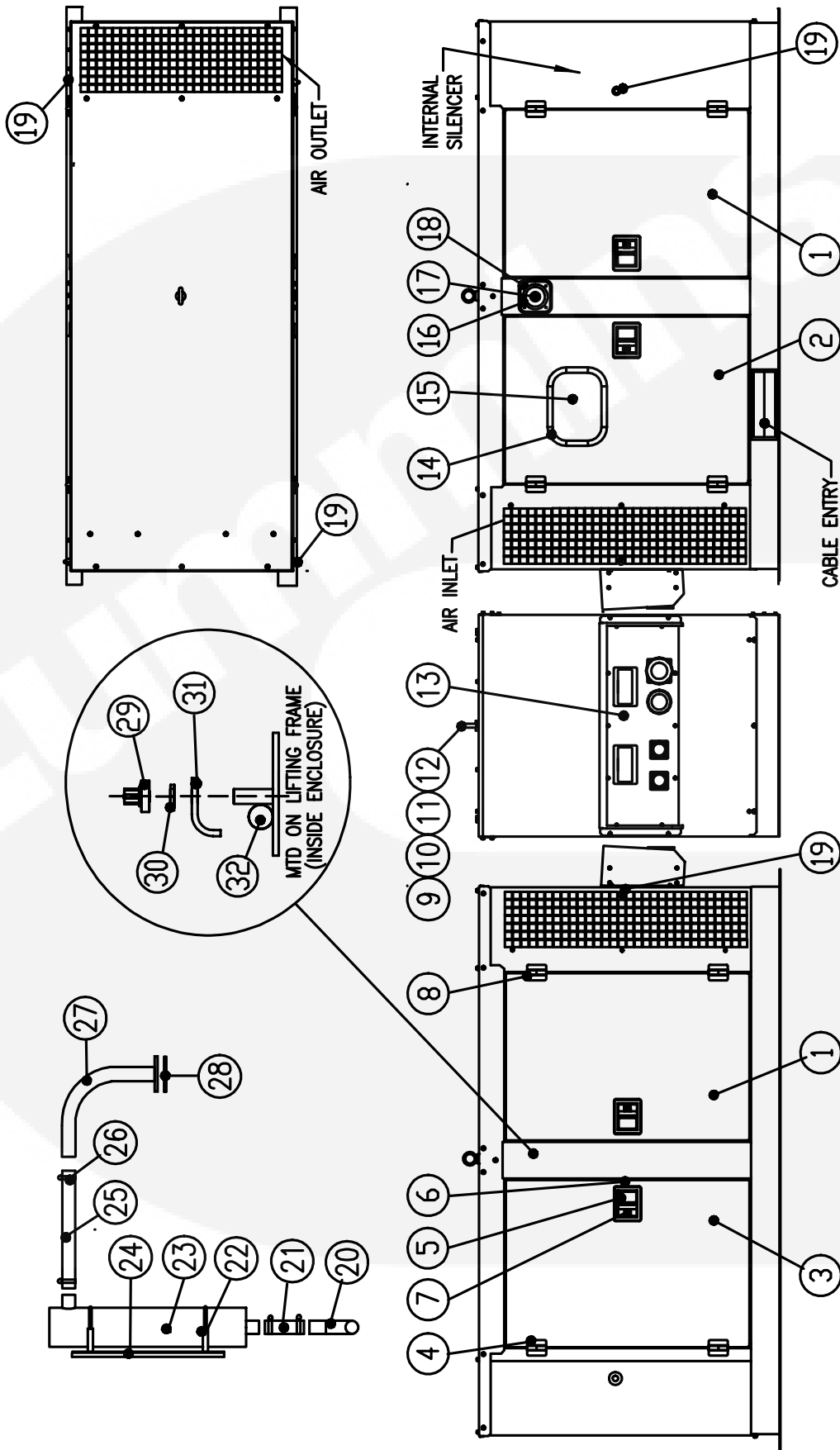
Harnesses

**IMAGE NOT APPLICABLE
TO THIS ASSEMBLY**



Item	Part Number	Description	Qty
NA	0338-4458	Harness-AC	1
NA	0338-4459	Harness-AC (10sq mm)	1
NA	0338-4484	Harness-AC (25sq mm)	1
NA	0338-4487	Harness-Engine	1
NA	0338-4522	Harness-Alarm Module	1
NA	0338-4529	Harness-E/stop Enclosure	1
NA	0338-4530	Harness-Battery Charger	1
NA	0338-4640	Harness-AC (Sockets)	1

Enclosure



Item	Part Number	Description	Qty
1	0405-8996-01	Door Assy	2
2	0405-8995	Door Assy	1
3	0405-8996-02	Door Assy	1
4	0406-1052	Hinge-RH	4
5	0406-1059	Door Latch	4
6	0406-1073	Door Catch	4
7	0406-1074	Key	2
8	0406-1051	Hinge-LH	4
9	0403-5556	Lifting Eye (M24 X 127)	1
10	0526-0399-72	Washer-Flat (M24)	1
11	0870-2248-10	Nut-(M24 Nyloc)	1
12	0860-2024-01	Nut-Hex (M24)	1
13	0179-4273	Socket Connection Box	1
14	0508-1199	Window Seal	AR
15	0405-8144	Door Window	1
16	0098-8025	Label	1
17	0308--1175	Emergency Stop-Pushbutton	1
18	0319-5262	Switch Cover	1
19	0406-1113	Door Stop	4
20	0155-4357	90° X 2" Elbow	1
21	0155-4356	Connector	1
22	0155-4351	Heavy Duty Clamp (6")	2
23	0155-4280	Muffler	1
24	0155-4376-05	Bracket-Muffler	1
25	0155-4355	Flexible Connector	1
26	0155-4352	Clamp	4
27	0155-4358	Pipe	1
28	0155-4285	Gasket	1
29	0865-0030	Nut-Wing (M6)	2
30	0526-0399-58	Washer-Flat (M6)	2
31	0337-3778	Rod-Ground (Hold Down)	2
32	0337-3758	Rod-Ground	1

Cummins



Cummins Power Generation
Mansion Park
Columbus avenue
Mansion
Kent CT12 5BF
United Kingdom

Cummins Power Generation © [insert Copyright Year]

